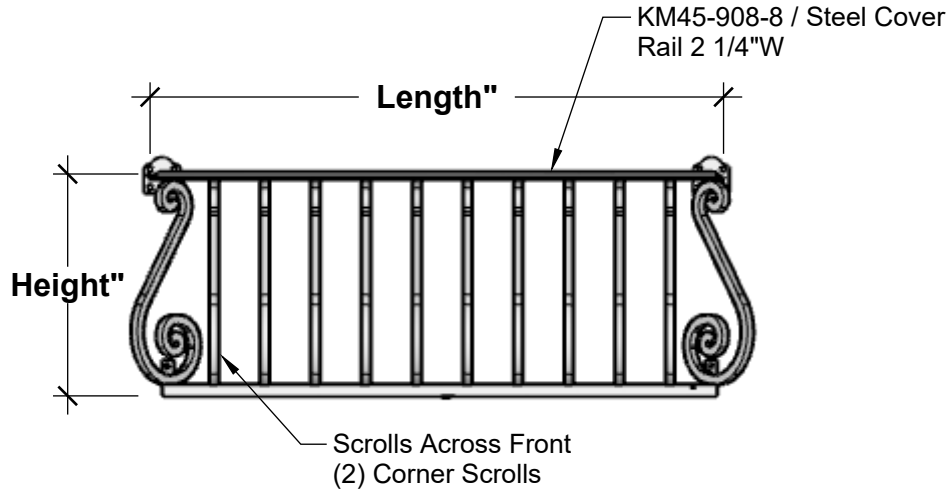
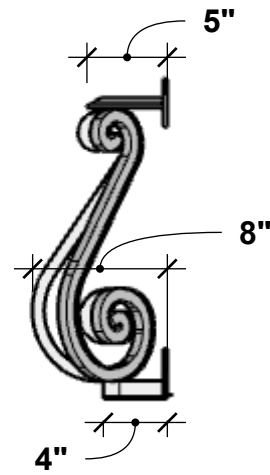


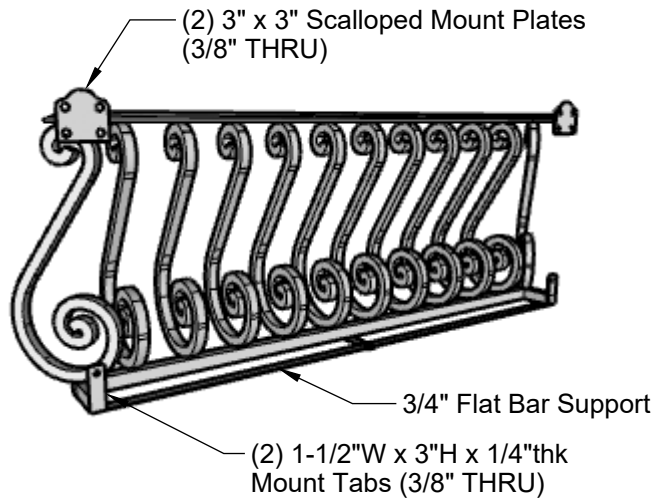
**TOP VIEW**



**SIDE VIEW**



**BACK PERSPECTIVE VIEW**



**Standard Length Options**

36"

48"

54"

60"

72"

**Standard Height Options**

18"

24"

30"

36"

42"

**Color Options**

Black Powder Coat

Bronze Tone Powder Coat

**GENERAL NOTES**

1. Top Drame Handrail with Scalloped Mount Plates
2. Bottom Frame 3/4" Sq. Tube
3. Scrolls 3/4" sq. bar, spaced 4" +/- apart.
4. Corner Scrolls ser at 45 Degree Angle
5. Top Offset 5 Inches
6. Bottom Offset 4 Inches

**HOOKS & LATTICE**

A CARLSBAD MANUFACTURING COMPANY

1 (800) 896-0978

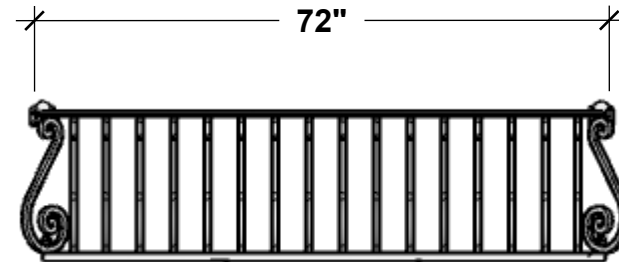
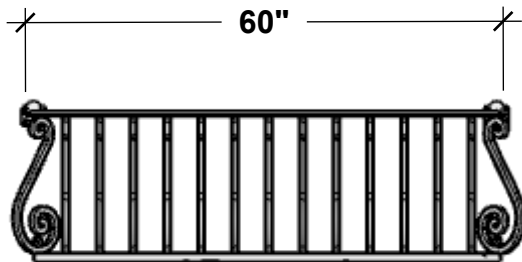
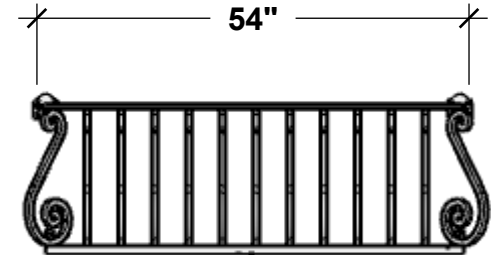
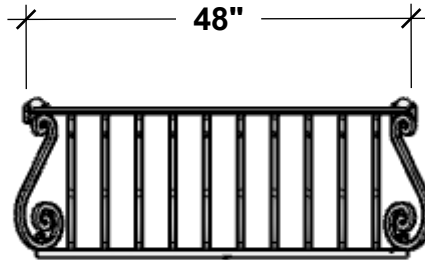
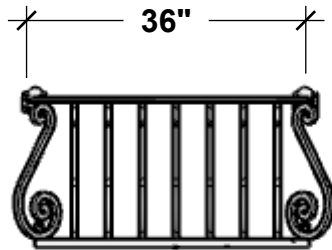
HooksandLattice.com

PRODUCT DESCRIPTION				SKU				PREPARED FOR		APPROVAL SIGNATURE
SEVILLA FAUX BALCONY				707-BAL						
DIMENSIONS	MATERIAL	COLOR / FINISH	REP	DB	DATE	REV	ORDER #	PROJECT / SIDEMARK / IF#	APPROVAL DATE	
	STEEL		Cressa	RM	10/2024					

PLEASE NOTE: Due to the handmade nature of our products, individual measurements may vary from those listed. The provided dimensions are for reference only

All images are the intellectual property of Hooks and Lattice. Reproduction in any form is strictly prohibitive without the express written permission of Hooks and Lattice. All designs are property of Hooks and Lattice.

**SIZE COMPARISON**



GENERAL NOTES
1. Top Drame Handrail with Scalloped Mount Plates 2. Bottom Frame 3/4" Sq. Tube 3. Scrolls 3/4" sq. bar, spaced 4" +/- apart. 4. Corner Scrolls ser at 45 Degree Angle

**HOOKS & LATTICE**

A CARLSBAD MANUFACTURING COMPANY

1 (800) 896-0978

HooksandLattice.com

PRODUCT DESCRIPTION				SKU				PREPARED FOR		APPROVAL SIGNATURE
SEVILLA FAUX BALCONY				707-BAL						
DIMENSIONS	MATERIAL	COLOR / FINISH	REP	DB	DATE	REV	ORDER #	PROJECT / SIDEMARK / IF#	APPROVAL DATE	
	STEEL		Cressa	RM	10/2024					

PLEASE NOTE: Due to the handmade nature of our products, individual measurements may vary from those listed. The provided dimensions are for reference only

All images are the intellectual property of Hooks and Lattice. Reproduction in any form is strictly prohibitive without the express written permission of Hooks and Lattice. All designs are property of Hooks and Lattice.