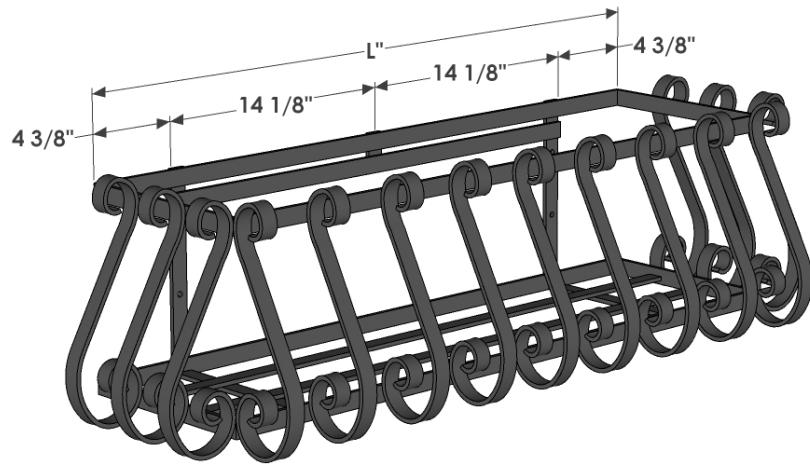


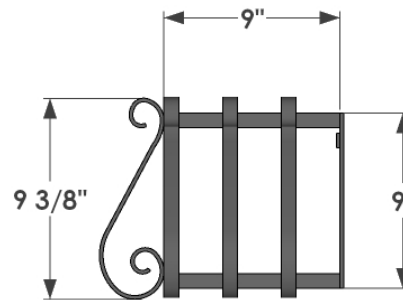
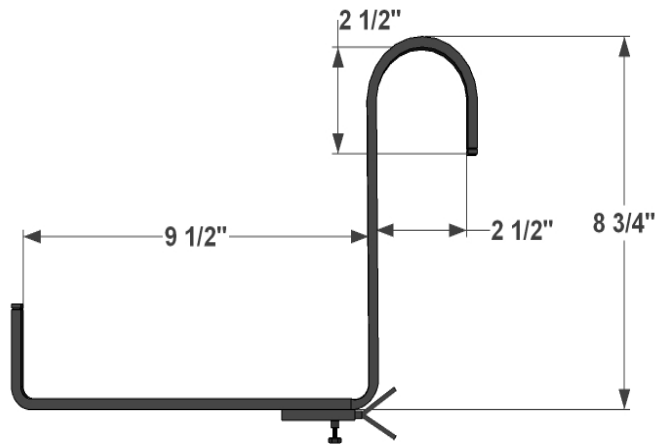
PERSPECTIVE VIEW



SIZE	L = Actual Dimensions for Liner Fitment
24"	w/ 7 scrolls, 25" Exterior scrolls 31"
30"	w/ 9 scrolls, 31" Exterior scrolls 37"
36"	w/ 11 scrolls, 37" Exterior scrolls 43"
42"	w/ 13 scrolls, 43" Exterior scrolls 49"
48"	w/ 15 scrolls, 49" Exterior scrolls 55"
60"	w/ 17 scrolls, 61" Exterior scrolls 67"
72"	w/ 19 scrolls, 73" Exterior scrolls 79"

RAILING BRACKET FRONT VIEW

SIDE VIEW



**GENERAL NOTES**

1. Cage Interior Dimensions fit 8" Pots or L" size x 8" x 8" Liners
2. Frame and Scrolls are 3/4" x 1/8" flat bar.
3. Mounting Holes: Ø 1/4"
4. Window box will rest on bracket shelf. Place brackets evenly-no more than 24" between brackets for quality support
5. Individual scrolls measure 9 3/8" height. Top scroll is 2 1/8" diameter, bottom scroll is 2 3/4" in diameter.



**HOOKS & LATTICE**

6056 Corte Del Cedro, Carlsbad CA 92011  
 1-888-320-0626/service@plantersunlimited.com  
 www.plantersunlimited.com

PRODUCT DESCRIPTION		SKU				ORDER NUMBER	CUSTOMER SIGNATURE
European Window Box Cage with Round Rail Brackets		541C-X-414RB95					
DIMENSIONS	COLOR	FINISH	REP:	DB:	DATE		

