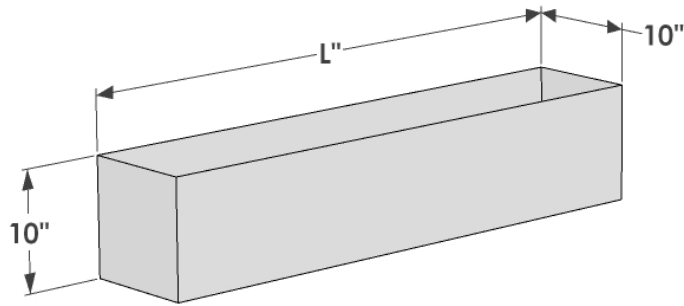



PERSPECTIVE VIEW



L SIZE
24"
30"
36"
42"
48"
60"
72"

GENERAL NOTES

Blank area for general notes.

 HOOKS & LATTICE 6056 Corte Del Cedro, Carlsbad CA 92011 1-888-320-0626/service@plantersunlimited.com www.plantersunlimited.com	PRODUCT DESCRIPTION		SKU		ORDER NUMBER	CUSTOMER SIGNATURE
	Rectangular PVC Liner with Drainage		A2-AL-1010			
	DIMENSIONS	COLOR	FINISH	REP:	DB:	DATE

