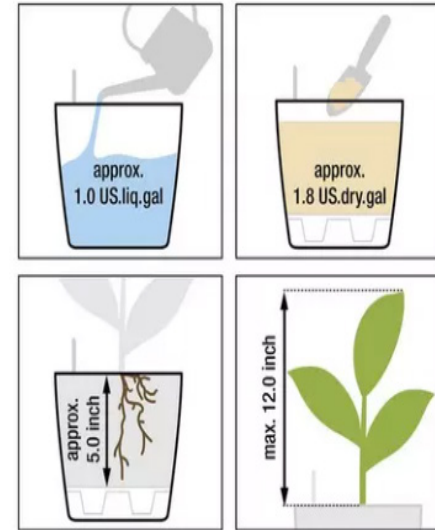
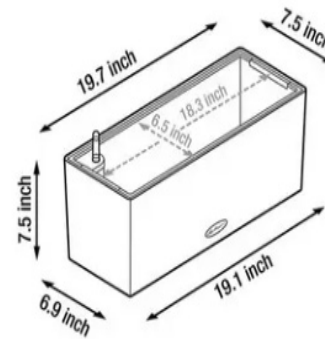


20IN. SLATE BASSWOOD SELF-WATERING WINDOW BOX PLANTER



GENERAL NOTES

Blank area for general notes.



HOOKS & LATTICE

6056 Corte Del Cedro, Carlsbad CA 92011
 1-888-320-0626/service@plantersunlimited.com
 www.plantersunlimited.com

PRODUCT DESCRIPTION	SKU				ORDER NUMBER	CUSTOMER SIGNATURE
Basswood Self Watering Window Box	L5-BLB-20					
DIMENSIONS	COLOR	FINISH	REP:	DB:	DATE	

