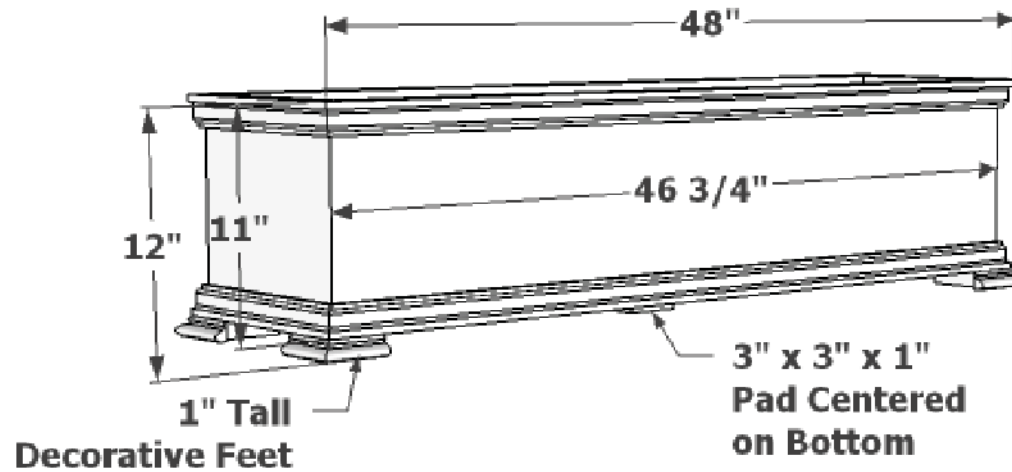


PLANTER FRONT VIEW



PLANTER PERSPECTIVE

PART NUMBER: A2-P501FT-481212

Date: March 2011  
Sheet 1 of 1  
Scale: NTS

Drawn by: KE  
Content: Laguna Premier Deck Planter w/Feet  
48inLx12inWx12inH  
Customer Approval: \_\_\_\_\_

Design by Hooks and Lattice. All visual representations and designs are the intellectual property of Hooks and Lattice and protected under copyright law. Any duplication of this design is in direct violation of the law and will result in legal action.  
© Copyright 2008-2011



T:800-896-0978

F:760-603-0862