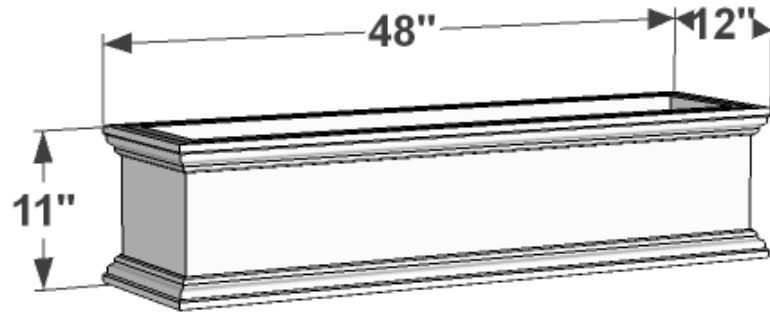
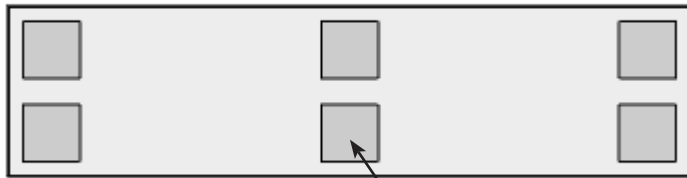


General Notes:

- 1. 1"x1" PVC supports along interior seams**



PERSPECTIVE VIEW



**(6) Pads, 4"x4"x1/8" thk.
Offset 1" from edges**

BOTTOM VIEW

Date: 1/2016
Scale: NTS
DB: RMA
CB:
Rep: Cressa
Order#:

Content: Laguna Premier Deck Planter without Feet
PN: A2-P501-481211
Color/Finish: White pvc/unfinished
Customer Approval: _____

Design by Hooks and Lattice. All visual representations and designs are the intellectual property of Hooks and Lattice and protected under copyright law. Any duplication of this design is in direct violation of the law and will result in legal action. © Copyright 2008-2015



T:800-896-0978

F:760-603-0862