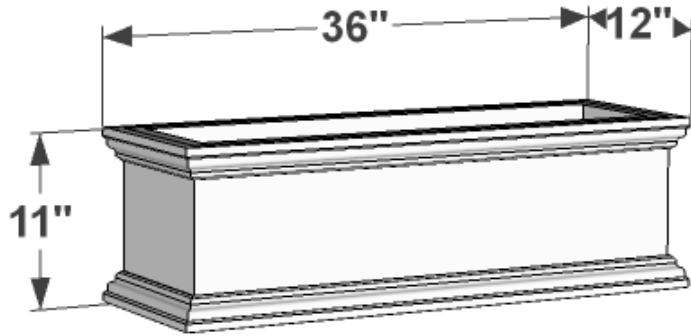
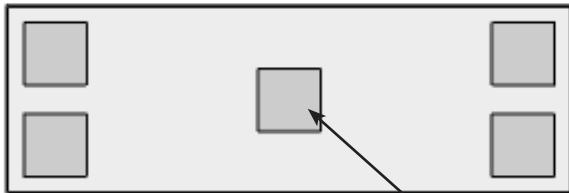


**General Notes:**

- 1. 1"x1" PVC supports along interior seams



PERSPECTIVE VIEW



(5) Pads, 4"x4"x1/8"thk.  
Offset 1" from edges

BOTTOM VIEW

Date: 1/2016  
Scale: NTS  
DB: RMA  
CB:  
Rep: Cressa  
Order#:

Content: Laguna Premier Deck Planter without Feet  
PN: A2-P501-361211  
Color/Finish: White pvc/unfinished  
Customer Approval: \_\_\_\_\_

Design by Hooks and Lattice. All visual representations and designs are the intellectual property of Hooks and Lattice and protected under copyright law. Any duplication of this design is in direct violation of the law and will result in legal action. © Copyright 2008-2015



T:800-896-0978

F:760-603-0862