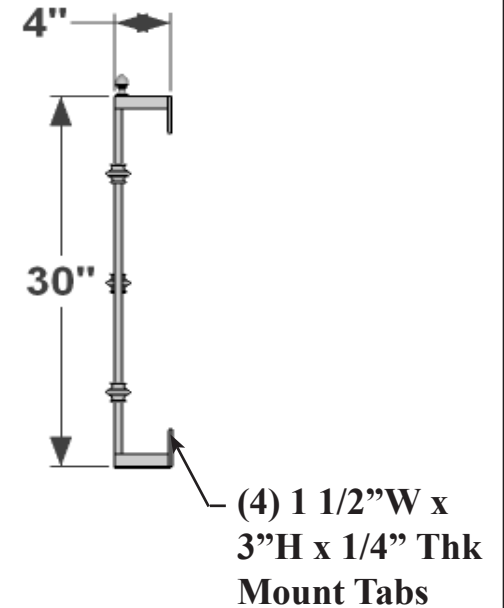
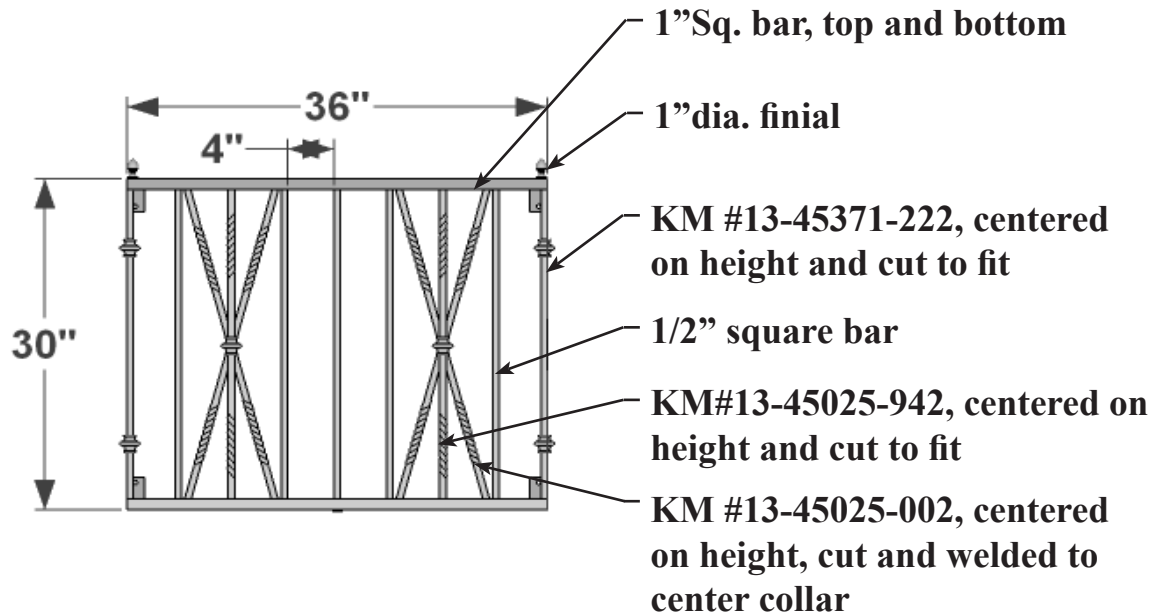


GENERAL NOTES:

1. 3/4" flat bar supports along base
2. Bottom Frame 1" Square Tube with 1" x 2" Mount Tabs
3. 1/2" Square Bar, spaced 4" +/- inches apart.
4. Offset 4 inches.
5. Use KM Panel or manufacture to specification



FRONT ELEVATION

SIDE ELEVATION

Date:
Scale: NTS
DB: RMA
CB:
Rep:
Order#:

Content: Banbury Faux Balcony
PN: 716-BAL-364-30H
Color/Finish: Black Powder Coat
Customer Approval: _____

Design by Hooks and Lattice. All visual representations and designs are the intellectual property of Hooks and Lattice and protected under copyright law. Any duplication of this design is in direct violation of the law and will result in legal action. © Copyright 2008-2015

Hooks & Lattice
A GARDEN MARKET
T:800-896-0978 F:760-603-0862