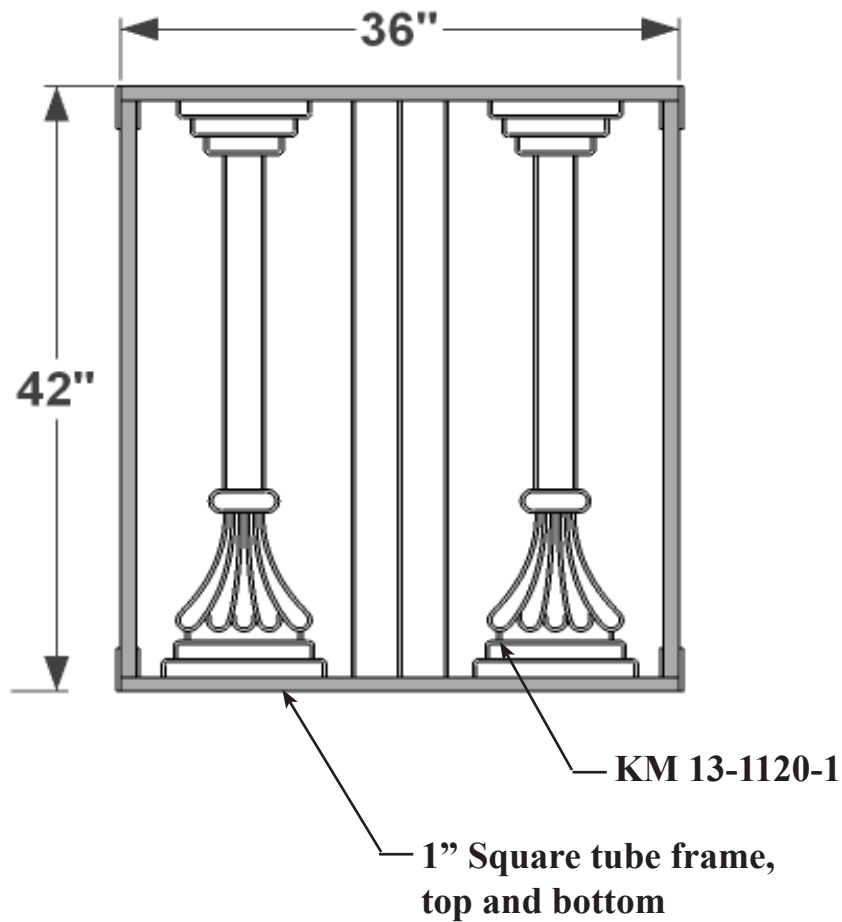
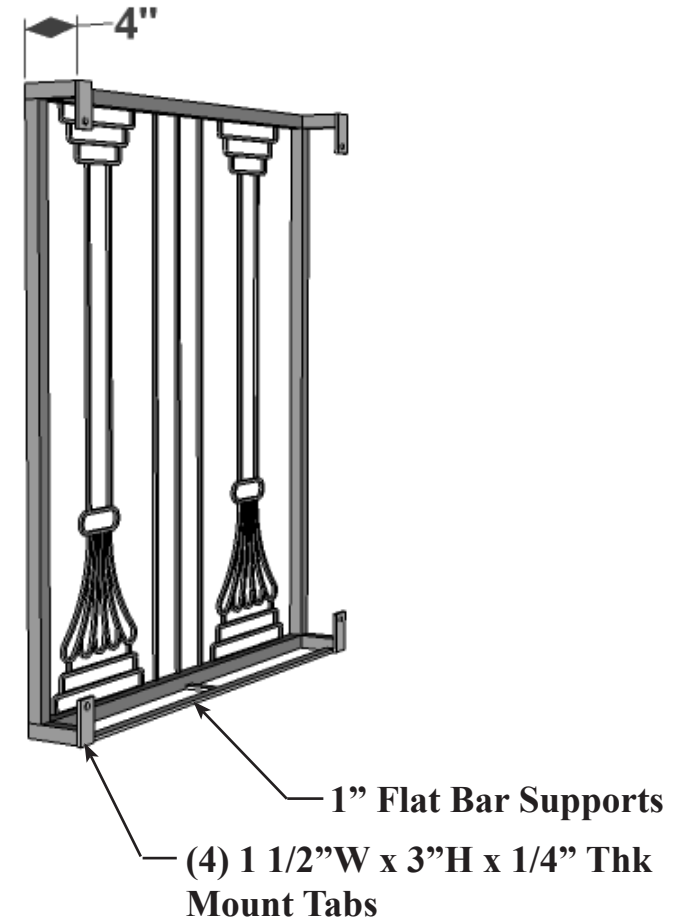


General Note: Use KM Panel or manufacture to specification



FRONT ELEVATION



BACK PERSPECTIVE

Date:
Scale: NTS
DB: GGG
CB:
Rep:
Order#:

Content: Windermere Faux Balcony
PN: 719-BAL-36
Color/Finish:
Customer Approval: _____

Design by Hooks and Lattice. All visual representations and designs are the intellectual property of Hooks and Lattice and protected under copyright law. Any duplication of this design is in direct violation of the law and will result in legal action. © Copyright 2008-2015

Hooks & Lattice
A GARDEN MARKET

T:800-896-0978

F:760-603-0862