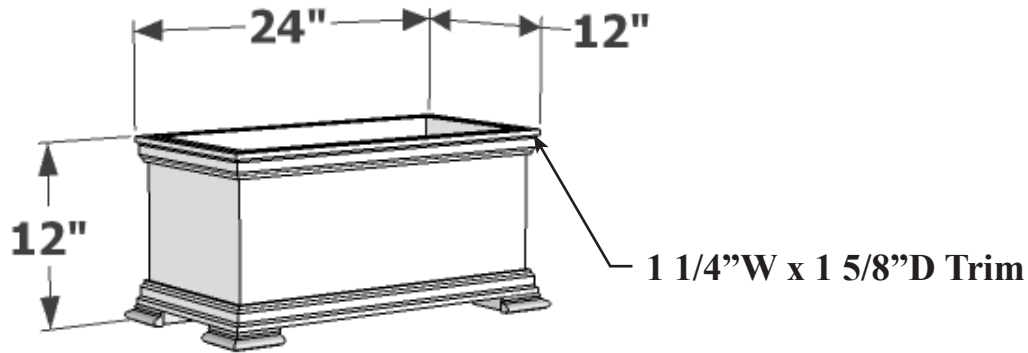
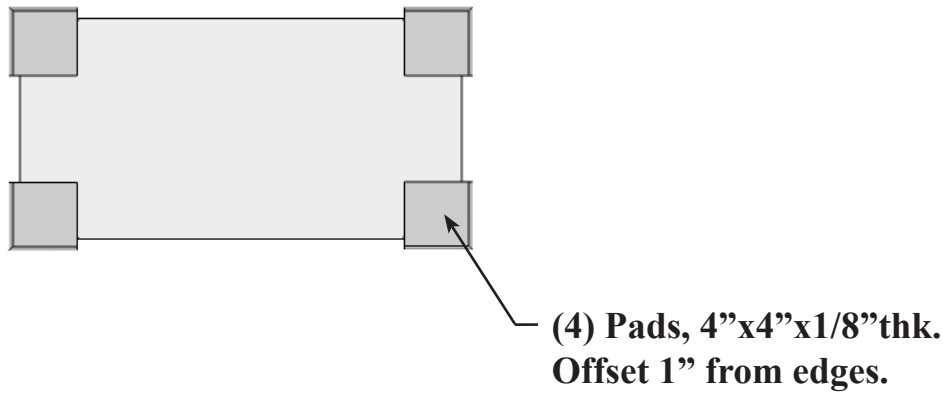


General Notes:

- 1. 1"x1" PVC supports along interior seams



FRONT PERSPECTIVE



BOTTOM PERSPECTIVE

Date: 4-2014
Scale: NTS
DB: RMA
CB:
Rep: Cressa
Order#:

Content: Laguna Premier Deck Square PVC Planter

PN: A2-P501FT-241212

Color/Finish: Unpainted White PVC

Customer Approval: _____

Design by Hooks and Lattice. All visual representations and designs are the intellectual property of Hooks and Lattice and protected under copyright law. Any duplication of this design is in direct violation of the law and will result in legal action. © Copyright 2008-2014



T:800-896-0978

F:760-603-0862