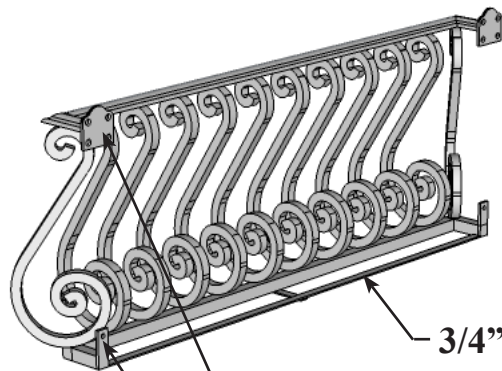


(10) Scrolls Across Front and  
(2) Corner Scrolls

FRONT ELEVATION

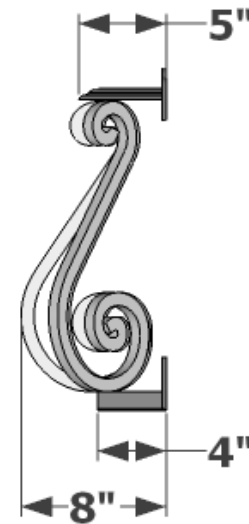
**GENERAL NOTES:**

1. Top Frame Handrail with Scalloped Mount Plates.
2. Bottom Frame 3/4" Square Tube
3. Scrolls 3/4" Square Bar, spaced 4" +/- inches apart.
4. Corner Scrolls set at 45 Degree Angle
5. Top Offset 5 inches.
6. Bottom Offset 4 inches.



3/4" Flat Bar for Support  
(2) 3"x 3" Scalloped Mount Plates  
(2) 1 1/2"W x 3"H x 1/4"Thk Mount Tabs

BACK PERSPECTIVE



SIDE ELEVATION

Date:  
Scale: NTS  
DB: RMA  
CB:  
Rep:  
Order#:

Content: Sevilla Iron Faux Balcony  
PN: 707-BAL-18H-484  
Color/Finish: Black Powder Coat  
Customer Approval: \_\_\_\_\_

Design by Hooks and Lattice. All visual representations and designs are the intellectual property of Hooks and Lattice and protected under copyright law. Any duplication of this design is in direct violation of the law and will result in legal action. © Copyright 2008-2014

**Hooks & Lattice**  
A GARDEN MARKET  
T:800-896-0978 F:760-603-0862