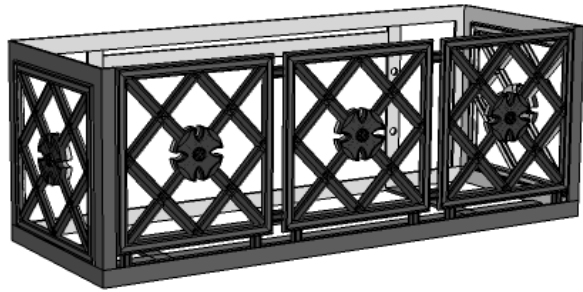
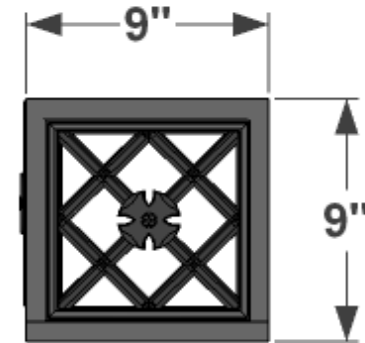


GENERAL NOTES:

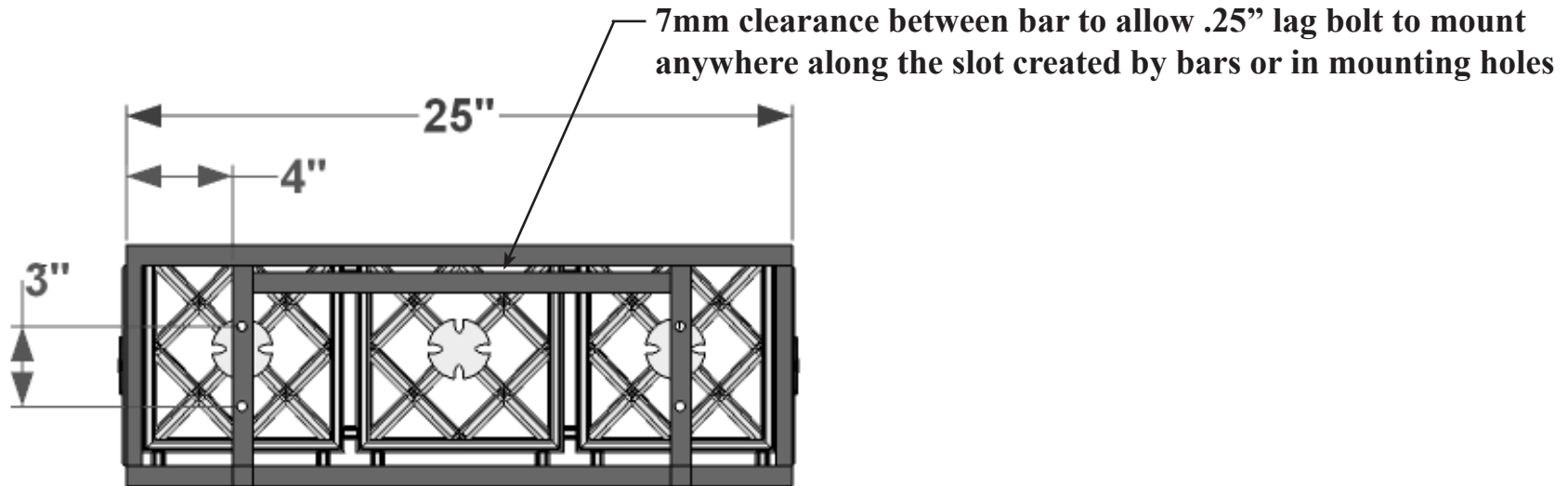
1. Frame fabricated with .75" x .1875" flat bar
2. Design fabricated with .75" x .125" flat bar
3. Mounting holes .28" dia (7mm)



PERSPECTIVE VIEW



SIDE VIEW



BACK VIEW

Date:
Scale: NTS
DB: GGG
CB:
Rep:
Order#:

Content: Alexandria Aluminum Window Box
PN: CM-703-24
Color/Finish: Black Powder Coat
Customer Approval: _____

Design by Hooks and Lattice. All visual representations and designs are the intellectual property of Hooks and Lattice and protected under copyright law. Any duplication of this design is in direct violation of the law and will result in legal action. © Copyright 2008-2015



T:800-896-0978

F:760-603-0862