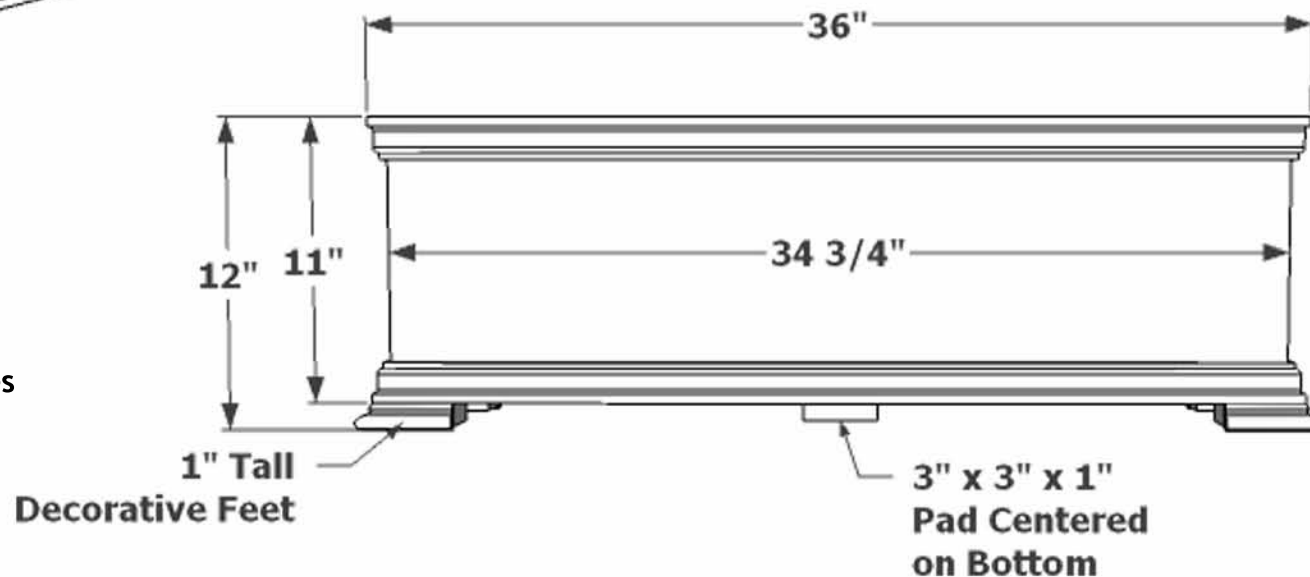


Planter Perspective

Planter to have 3/8" Drainage Holes
Standard

Material is 5/8" Thick Premier
Composite PVC



Planter Front

Date: 2-10-2011 Drawn by: KE
 Revision: Content: Laguna Premier
 Sheet: A Deck Planter
 PN# A2-P501FT-361212 36"L x 12"W x 12" H

Customer Approval: _____

Design by Hooks and Lattice
 All visual representations and designs are the
 intellectual property of Hooks and Lattice and
 protected under copy-right law. Any duplication
 of this design or any element is in direct violation
 of the law and will result in legal action.

© Copyrighted 2008-2010

Hooks & Lattice
 A GARDEN (HL) MARKET
www.hooksandlattice.com
 1-800-896-0978 1-760-603-0888