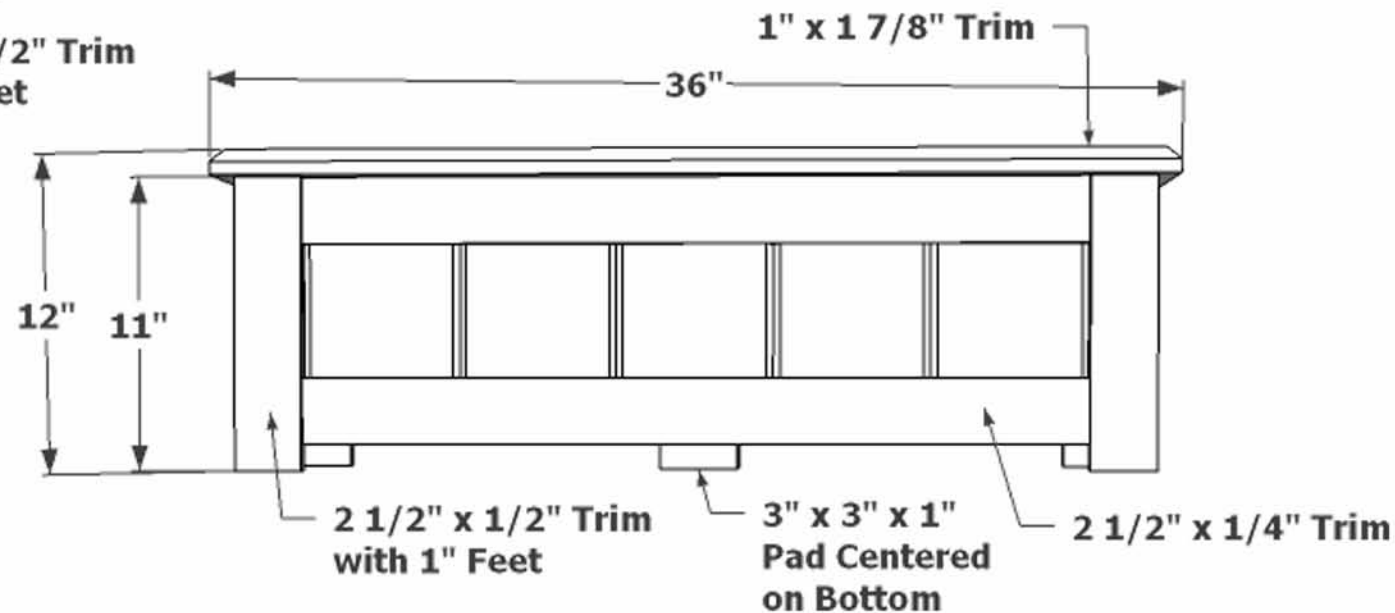


Planter Perspective



Planter Front

Planter to have 3/8" Drainage Holes Standard

Material is 5/8" Thick Premier Composite PVC

Date: 2-14-2011 Drawn by: KE  
 Revision: Content: Coronado Premier  
 Sheet: A Deck Planter  
 PN# A2-P502FT-361212 36"L x 12"W x 12" H

Customer Approval: \_\_\_\_\_

Design by Hooks and Lattice  
 All visual representations and designs are the intellectual property of Hooks and Lattice and protected under copy-right law. Any duplication of this design or any element is in direct violation of the law and will result in legal action.

© Copyrighted 2008-2010

**Hooks & Lattice**  
 A GARDEN HL MARKET  
 www.hooksandlattice.com  
 1-800-896-0978 1-760-603-0888