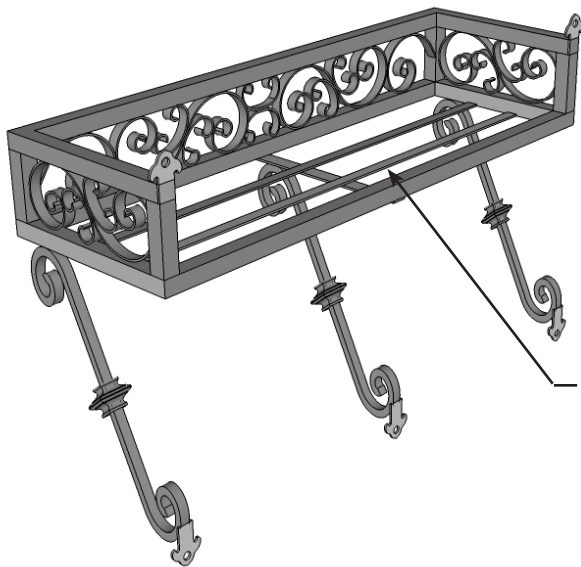
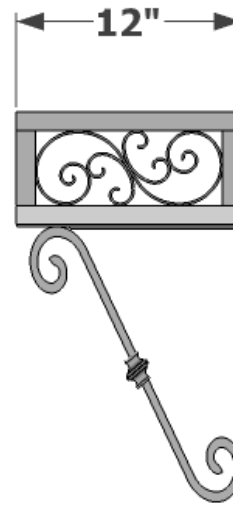


FRONT ELEVATION



BACK PERSPECTIVE

(2) Flat Bar Supports



SIDE ELEVATION

Date: 6/2014  
 Scale: NTS  
 DB: JL  
 CB:  
 Rep: Whintey  
 Order#:

Content: Dayspring Pottery Shelf  
 PN: 771-PSD-3612-6H  
 Color/Finish: Black Powder Coat  
 Customer Approval: \_\_\_\_\_

Design by Hooks and Lattice. All visual representations and designs are the intellectual property of Hooks and Lattice and protected under copyright law. Any duplication of this design is in direct violation of the law and will result in legal action. © Copyright 2008-2014



T:800-896-0978

F:760-603-0862