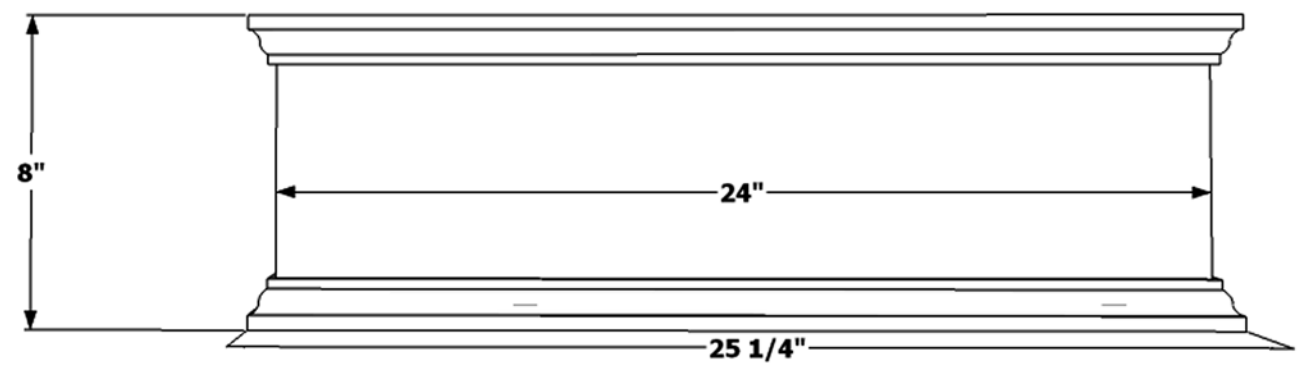


Detail Rear



Detail Front

Detail Perspective

Date: April 2011  
 Revision:  
 Sheet: A  
 PN# A2-015-24

Drawn by: KE  
 Content: Direct Mount Laguna Premier Flower Box 24"

Design by Hooks and Lattice  
 All visual representations and designs are the intellectual property of Hooks and Lattice and protected under copy-right law. Any duplication of this design or any element is in direct violation of the law and will result in legal action.

© Copyrighted 2008-2010

Customer Approval: \_\_\_\_\_

**Hooks & Lattice**  
 A GARDEN HL MARKET  
[www.hooksandlattice.com](http://www.hooksandlattice.com)  
 1-800-896-0978 1-760-603-0888