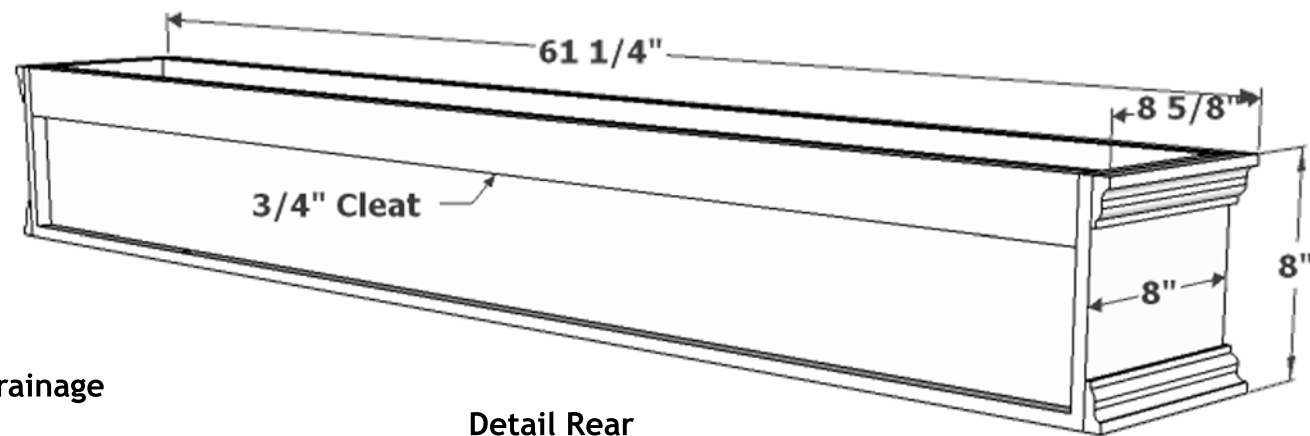


Detail Perspective



Detail Rear

Windowbox to have 3/8" Drainage  
Holes Standard

Material is 5/8" Thick Premier  
Composite PVC

Date: Feb 2011  
Revision:  
Sheet: A  
PN# A2-100-60

Drawn by: KE  
Content: Standard Laguna Premier  
Window Box with Cleat  
60"L x 8"W x 8" H

Design by Hooks and Lattice  
All visual representations and designs are the  
intellectual property of Hooks and Lattice and  
protected under copy-right law. Any duplication  
of this design or any element is in direct violation  
of the law and will result in legal action.

© Copyrighted 2008-2010

Customer Approval: \_\_\_\_\_

**Hooks & Lattice**  
A GARDEN (HL) MARKET  
www.hooksandlattice.com  
1-800-896-0978 1-760-603-0888