

Putting Green Landscape Lighting Kit

Golf Light
LED Golf Light
Signature™ Series



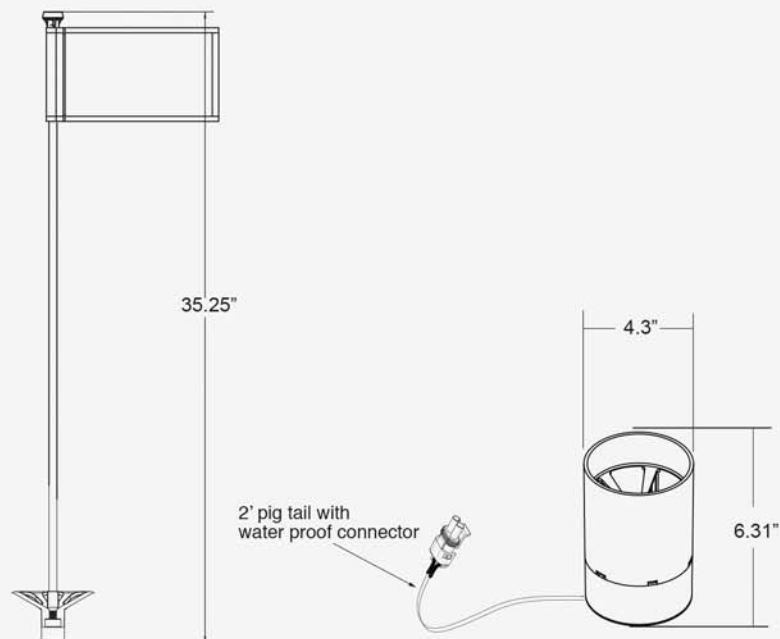
Illumi-Cup: LED Golf Light

PROJECT:	
TYPE:	
CATALOG NUMBER:	
LAMP(S):	
NOTES:	

FIXTURE ORDERING INFORMATION

ILCP-LED (Illumi-Cup, LED)

DIMENSIONS:



SPECIFICATIONS

Our Commitment

Unique Lighting Systems' highest commitment is to set the standard for manufacturing innovative and quality products. This commitment is evident through our detailed inspection processes and extensive field testing. From the initial design process of each product, to the final assembly of each custom-made individual part, our manufacturing process accomplishes the highest level of performance and durability carried through to final delivery to the end user. Durable construction and beautiful styling make Unique™ fixtures the ideal solution for any residential or commercial application. Unique Lighting™ already holds numerous product patents and we are constantly developing innovative ideas to help expand the lighting industry.

Materials

ABS enclosure.

Flag

Includes putting green flag and solid brass ball catch.

Optical Lens

Optical lens developed to create a narrow beam of light to brightly illuminate the flag.

LEDs

Energy saving LEDs have been integrated into the base of the unit. 3000K color temperature LEDs. 85% energy savings over halogen lamps, only three watts of energy consumed. Long-life LEDs will last over 15 years of normal use at 4 hours per day.

Electrical Requirements

A remote 12V transformer required, may be ordered separately from Unique Lighting Systems®. Voltage range is 8V to 24V.

Wiring

Two foot pig tail factory wire to fixture. 73' wire lead with water proof wire connectors provided.

Warranty

Five year warranty against manufacturer's defects.

Manufacturing

Manufactured to ISO 9001-2008 Quality Systems Standard.

Putting Green Landscape Lighting Kit

SHUB

Satellite™ Hub

Installation Instructions

1. Feed all the fixtures lead wires together with the home run wire (wire from the transformer to hub) through the bottom and out the top of the hub housing.

Note: For ease of installation, this should be done prior to placing the hub in the ground.

2. Strip all wire insulation approximately 1".

3. Identify the common (lettered) wires and the hot (lettered) wires both from the transformer and the fixture leads.

4. Tightly twist all of the common (lettered) wires together making sure there are no loose strands. (see diagram 3).

5. Insert wires into the threaded end of the barrel nut and securely tighten with a flathead screwdriver. Place ox-guard grease filled plastic cap over and screw tight.

6. For the hot set of wires (ribbed). Attach one end of the In-Line fuse to the home run wire. (see diagram 1).

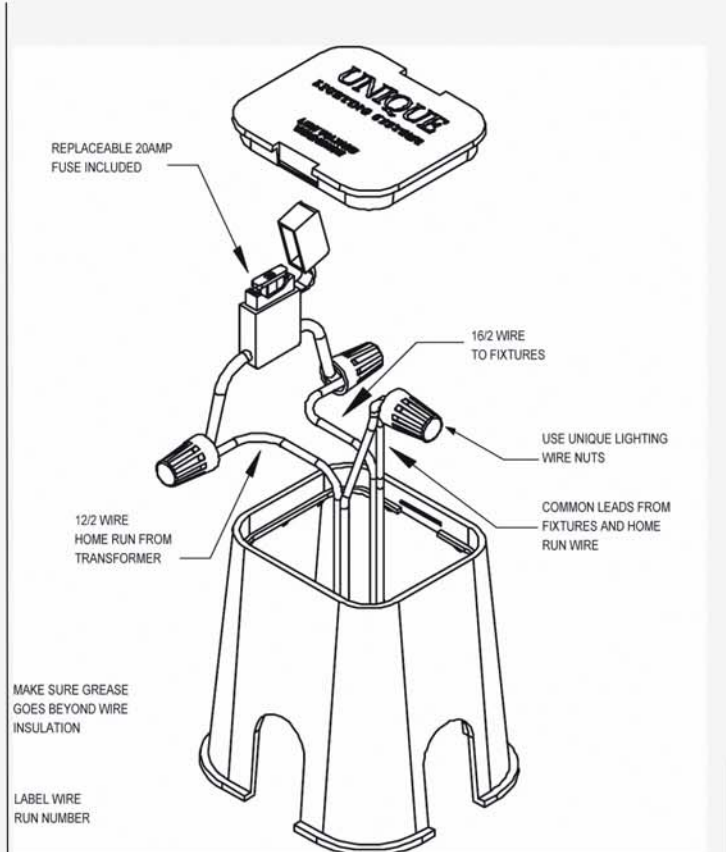
7. Insert the two wires in to the threaded end of the barrel nut and securely tighten with a flathead screwdriver. Place ox-guard grease filled plastic cap over and screw tight.

8. Tightly twist the fixture lead wires together with the remaining end of the In-Line fuse. (see diagram 2).

9. Insert wires into the threaded end of the barrel nut and securely tighten with a flathead screwdriver. Place ox-guard grease filled plastic cap over and screw tight.

10. Dig a shallow hole (approximately 5" deep) and place the Satellite Hub in the ground. Leave about 2" above the ground. This will keep barrel lugs and the fuse above grade and out of any wet areas.

11. Fold wires in to the Satellite Hub and replace cap.



Suggestions for Installation:

1. Put no more than 5 fixtures per Satellite Hub (no more than 192 watts on #12-2 wire)
2. If possible, don't cut off the excess wire, just bury it.
3. Always use a Unique Multi-Matic Power Transformer with the Satellite Hub
4. Use a digital voltmeter to determine your true voltage to the Satellite Hub.

PART NUMBER:					DATE:	
Model	Construction/Wire Length	Lamp Size	Finish	Options		
JOB NAME:						
APPROVAL:			<h1>SHUB</h1>			
COMMENTS:						
			Hub Wiring System			
			WEIGHT: 1.00 lbs.		SHEET 1 OF 1	



Putting Green Landscape Lighting Kit

MULTI-MATIC: 12V Multi-Matic 200W LED Transformer

Transformer Stainless Steel Transformer Multi-Matic Series



PROJECT:	
TYPE:	
CATALOG NUMBER:	
LAMP(S):	
NOTES:	

TRANSFORMER ORDERING INFORMATION

Example: 200SSSL-LEDWB (200 Watt, Stainless Steel, Weathered Brass Finish)

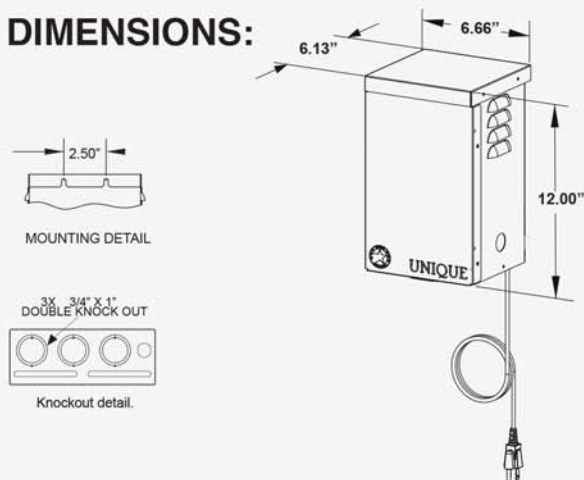
MODEL WATTAGE	TYPE	OPTION 1
200 = 12V & 15V Output Leads	SSSL = Stainless Steel Secondary Lug	WB = Weathered Brass Finish

Output Wattage	Output Leads	120v Max Fuse Amps Size
200	(12 & 15v)	1.66 2.00

Tinned 6061-T6 aluminum lug with 3mm set screws



DIMENSIONS:



SPECIFICATIONS

Tru-Core™ Technology

Unique Lighting Systems' highest commitment is to set the standard for manufacturing, innovation and quality products. Tru-Core™ Transformers are engineered and built by Unique with solid copper core windings and the highest quality materials. Our high quality materials and precision grain-oriented steel laminations combine for an energy efficient product with very low no-load amps. We utilize dual layer insulation between the primary and secondary winding. As an industry leader we wind our own cores and specify all the materials including laminations, copper wire, surface area of the wire and more. You can buy a less expensive transformer, but you can only get the quality of a Tru-Core™ from Unique Lighting Systems®.

Core

Engineered single core design with precision grain-oriented steel laminations. High temperature glass impregnated nylon bobbin and solid copper mag wire. To ensure robust construction each output tap is welded to the mag wire for optimum connectivity.

Construction

304 stainless steel (complies with NEMA 3R).

Primary Protection

Replacable 3AG Time Delay (glass slow-blow fuse).

Power Cord

16/3 SJTW power cord. Six feet in length.

Electrical Requirements

Available power ratings 200 Watts. Primary voltage is 120 volts, secondary voltage is 12V and 15V output. See individual models for exact output leads.

Output Terminal

Each SSSL option includes a Tinned 6061-T6 aluminum lug strip with 3mm hex set screw for a positive torque connection. Includes 3mm hex key tool with every logged transformer.

Finish

Stainless Steel finish is standard. Unique™ Lightings' Weathered Brass finish is a "living finish" and will naturally patina and change over time.

Warranty

All transformers from Unique Lighting Systems® carry a limited lifetime warranty against manufacturer's defects.

Manufacturing

Manufactured to ISO 9001-2008 Quality Systems Standard.

Features & Benefits

- Oversized colored terminal lugs ideal for multiple connections at each tap
- Snap-in photocell ready
- Easy to read instruction mounted inside door
- Hex tool supplied with transformer
- 3/4" and 1" knock outs on bottom and sides for conduit
- 120-Volt receptacle for use with timers
- Louvered vents in the housing allow for cool running operation



C US

UL 1598: 2004 R5.06

CAN/CSA-C22.2 No. 250.0-04