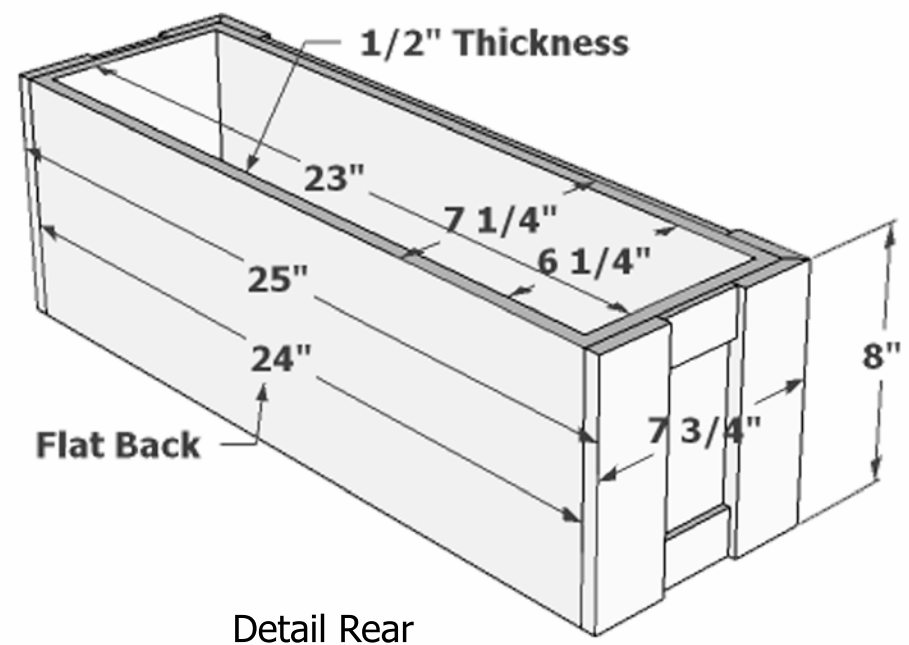
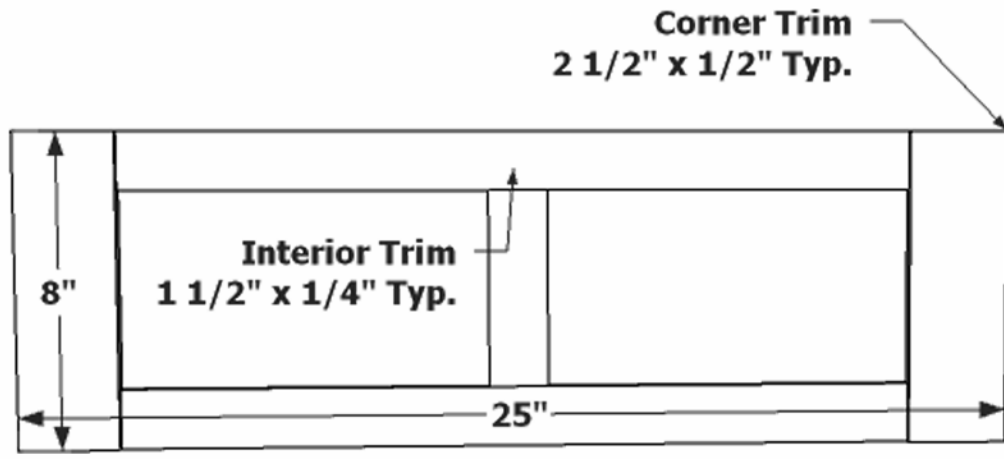


Detail Perspective



Detail Rear



Detail Front

Date: 12-29-2010  
 Revision:  
 Sheet: A  
 PN# A2-025-24

Drawn by: KE  
 Content: Direct Mount Solera  
 Premier Flower Box  
 24"

Design by Hooks and Lattice  
 All visual representations and designs are the intellectual property of Hooks and Lattice and protected under copy-right law. Any duplication of this design or any element is in direct violation of the law and will result in legal action.

© Copyrighted 2008-2010

Customer Approval: \_\_\_\_\_

**Hooks & Lattice**  
 A GARDEN (HL) MARKET  
 www.hooksandlattice.com  
 1-800-896-0978 1-760-603-0888