

Tiki Landscape Lighting Kit

Tiki Light
Post Mounted Tiki Light
Signature™ Series



ISLANDER: 12V & 24V Brass/Copper Tiki Light

PROJECT:	
TYPE:	
CATALOG NUMBER:	
LAMP(S):	
NOTES:	

FIXTURE ORDERING INFORMATION

Example: IB-12-L1 (Islander, Brass, 12 Volt, 1 Watt, 3000K LED T3, 25' Wire Lead, Weathered Brass)

MODEL NAME	VOLTAGE	WATTAGE	WIRE LENGTH	FINISH	OPTIONS
IB = Brass	12=12 Volt	L1= LED, 1W, 3000K	Leave blank for standard 25' length	leave blank for standard WB or NC finish	
IC = Copper	24=24 Volt	L2= LED, 2W, 3000K	* 0= 3' wire lead	P= Standard powder coat finishes.	
		35= 35W Xelogen	* 50= 50' wire lead	List your desired color in the order comments area.	
		NL= No Lamp			

NOTE: Pre-lamped LED fixtures are NOT available with 24V lamps. LED fixtures are available ONLY with a 25' wire lead. For additional painted finishes contact our factory.

Powder Coated Finishes

Tucson Tan	TT
White	WH
Black	BK
Verde Green	VG
Titanium Knight	TK

Standard Finish

Weathered Brass	WB
-----------------	----

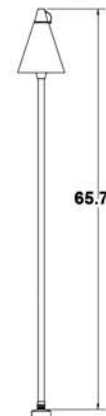
*Stock powder coated colors displayed are subject to varying lead-times and will incur an additional cost. A Limited Warranty applies to all powder coated products. Custom colors are available upon request. Please inquire about cost and lead times. Contact factory for custom colors and matching paint options.

FLEX™ Unique Lighting Systems® fixtures are available with LED lamps. Please specify the lamp code when ordering.

* Only available with the NL wattage option.

Unique Lighting Systems® reserves the right to modify the design and/or construction of the fixture shown without further notification.

DIMENSIONS:



SPECIFICATIONS

Our Commitment

Unique Lighting Systems' highest commitment is to set the standard for manufacturing innovative and quality products. This commitment is evident through our detailed inspection processes and extensive field testing. From the initial design process of each product, to the final assembly of each custom-made individual part, our manufacturing process accomplishes the highest level of performance and durability carried through to final delivery to the end user. Durable construction and beautiful styling make Unique fixtures the ideal solution for any residential or commercial application. Unique Lighting™ already holds numerous product patents and we are constantly developing innovative ideas to help expand the lighting industry.

Materials

Crafted from extruded brass or copper.

Stem

Brass or copper unibody design provides enclosed, water resistant wireway. Integrated bung for maximum mechanical strength. High temperature, double o-ring retention collar provides weather-tight seal.

Collar

Machined brass, threaded.

Shroud

Fully machined. Reflective Powder Coat Interior.

Snuff Cap & Chain

Brass cap and chain.

Lamp

For use with a xelogen lamp up to 35W. **FLEX™** Series LED lamps are available in 1W or 2W T3 lamps. LED lamps are available in 3000K color temperatures.

Electrical Requirements

A remote 12V or 24V transformer required, may be ordered separately from Unique Lighting Systems®. Voltage range for 12V halogen lamps is 10.8V to 12V. Voltage range for 24V halogen lamps is 21.6V to 24V. Voltage range for 12V **FLEX™** Series LED lamps is 10V-18V.

Socket

Specification grade, beryllium copper lamp holder. GU5.3 base.

Wiring

Exclusive UF Intelli-Flex wire with anti-moisture migration connections.

Mounting Stake

Injection molded ABS perma post with a ½" NPS threaded female fitting.

Finish

Exclusive Weathered Brass or Natural Copper finish is standard. Unique™ Lightings' Weathered Brass and Natural Copper finishes are a "living finish" and will naturally patina and change over time. Polyester powder coat finishes are also available (see chart above).

Warranty

The Signature Series Family of products from Unique Lighting Systems® carries a limited lifetime warranty against manufacturer's defects.

Manufacturing

Manufactured to ISO 9001-2008 Quality standard.



UL 2108:2004 R12.07
CSA C22.2.9.0-96 (R2006)

Lighting Kits

Transformer Stainless Steel Transformer Multi-Matic Series



MULTI-MATIC: 12V Multi-Matic 200W LED Transformer

PROJECT:	
TYPE:	
CATALOG NUMBER:	
LAMP(S):	
NOTES:	

TRANSFORMER ORDERING INFORMATION

Example: 200SSSL-LEDWB (200 Watt, Stainless Steel, Weathered Brass Finish)

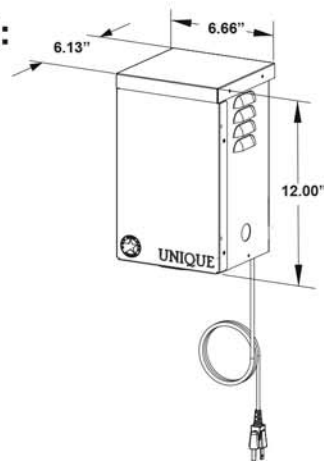
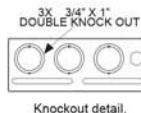
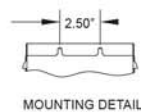
MODEL WATTAGE	TYPE	OPTION 1
200 = 12V & 15V Output Leads	SSSL = Stainless Steel Secondary Lug	WB = Weathered Brass Finish

Output Wattage	Output Leads	120v Max Amps	Fuse Size
200	(12 & 15v)	1.66	2.00

Tinned 6061-T6 aluminum lug with 3mm set screws



DIMENSIONS:



Unique Lighting Systems® reserves the right to modify the design and/or construction of the fixture shown without further notification.

SPECIFICATIONS

Tru-Core™ Technology

Unique Lighting Systems' highest commitment is to set the standard for manufacturing, innovation and quality products. Tru-Core™ Transformers are engineered and built by Unique with solid copper core windings and the highest quality materials. Our high quality materials and precision grain-oriented steel laminations combine for an energy efficient product with very low no-load amps. We utilize dual layer insulation between the primary and secondary winding. As an industry leader we wind our own cores and specify all the materials including laminations, copper wire, surface area of the wire and more. You can buy a less expensive transformer, but you can only get the quality of a Tru-Core™ from Unique Lighting Systems®.

Core

Engineered single core design with precision grain-oriented steel laminations. High temperature glass impregnated nylon bobbin and solid copper mag wire. To ensure robust construction each output tap is welded to the mag wire for optimum connectivity.

Construction

304 stainless steel (complies with NEMA 3R).

Primary Protection

Replacable 3AG Time Delay (glass slow-blow fuse).

Power Cord

16/3 SJTW power cord. Six feet in length.

Electrical Requirements

Available power ratings 200 Watts.
Primary voltage is 120 volts, secondary voltage is 12V and 15V output. See individual models for exact output leads.

Output Terminal

Each SSSL option includes a Tinned 6061-T6 aluminum lug strip with 3mm hex set screw for a positive torque connection. Includes 3mm hex key tool with every lugged transformer.

Finish

Stainless Steel finish is standard. Unique™ Lightings' Weathered Brass finish is a "living finish" and will naturally patina and change over time.

Warranty

All transformers from Unique Lighting Systems® carry a limited lifetime warranty against manufacturer's defects.

Manufacturing

Manufactured to ISO 9001-2008 Quality Systems Standard.

Features & Benefits

- Oversized colored terminal lugs ideal for multiple connections at each tap
- Snap-in photocell ready
- Easy to read instruction mounted inside door
- Hex tool supplied with transformer
- 3/4" and 1" knock outs on bottom and sides for conduit
- 120-Volt receptacle for use with timers
- Louvered vents in the housing allow for cool running operation



C US
UL 1598:2004 R5.06
CAN/CSA-C22.2 No. 250.0-04

Lighting Kits

Transformer Stainless Steel Transformer Multi-Matic Series



MULTI-MATIC: 12V Multi-Matic Transformer Series

PROJECT:	
TYPE:	
CATALOG NUMBER:	
LAMP(S):	
NOTES:	

Wired Secondary Colors

COM	White
12V	Black
13V	Brown
14V	Red
15V	Purple
16V	Blue
17V	Orange
18V	Orange
20V	Yellow
22V	Pink

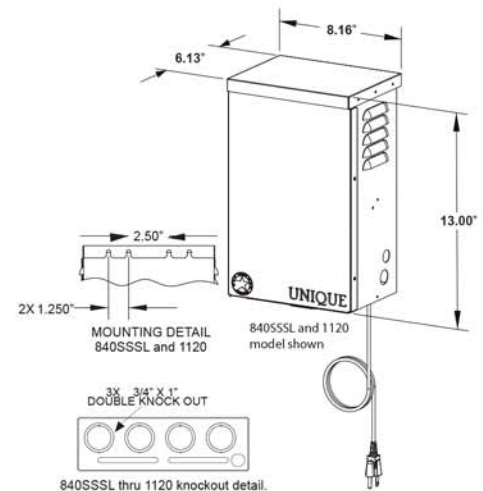
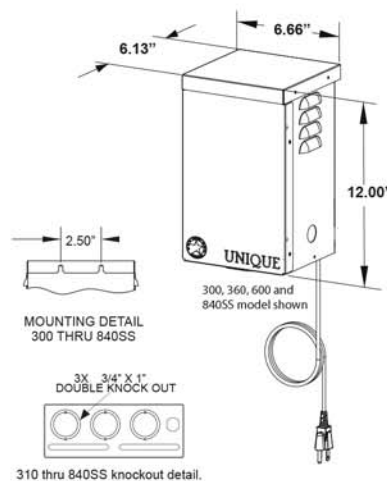
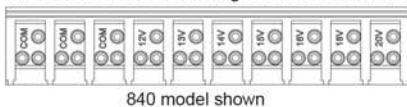
TRANSFORMER ORDERING INFORMATION

Example: 360SSSFWB (360 Watt, Stainless Steel, Secondary Fused, Weathered Brass Finish)

MODEL WATTAGE	TYPE	OPTION 1	OPTION 2
300	SS = Stainless Steel W/Wired Secondary	SF = Secondary Fuse	WB = Weathered Brass Finish
360	SSSL = Stainless Steel Secondary Lug	15 = 12V & 15V output leads. (300SSSL only)	
500	HLSS = Stainless Steel Homeline (12V Only)		
600			
840			
1120			

Output Wattage	Output Leads	120v Max Fuse Amps	Fuse Size
300	(12,13v)	2.58	3.00
300	(15V opt.) (12,15v)	2.58	3.00
360	(12,13,14,15v)	3.00	4.00
500	(12,13,14,15,16,17v)	4.16	5.00
600	(12,13,14,15,16,17v)	5.00	6.00
840	(12,13,14,15,16,18,20v)	7.00	8.00
1120	(12,13,14,15,16,18,20,22v)	9.33	10.00

Tinned 6061-T6 aluminum lug with 3mm set screws



DIMENSIONS:

SPECIFICATIONS

Tru-Core™ Technology

Unique Lighting Systems' highest commitment is to set the standard for manufacturing, innovation and quality products. Tru-Core™ Transformers are engineered and built by Unique with solid copper core windings and the highest quality materials. Our high quality materials and precision grain-oriented steel laminations combine for an energy efficient product with very low no-load amps. We utilize dual layer insulation between the primary and secondary winding. As an industry leader we wind our own cores and specify all the materials including laminations, copper wire, surface area of the wire and more. You can buy a less expensive transformer, but you can only get the quality of a Tru-Core™ from Unique Lighting Systems®.

Core

Engineered single core design with precision grain-oriented steel laminations. High temperature glass impregnated nylon bobbin and solid copper mag wire. To ensure robust construction each output tap is welded to the mag wire for optimum connectivity.

Construction

304 stainless steel (complies with NEMA 3R).

Primary Protection

Replacable 3AG Time Delay (glass slow-blow fuse).

Power Cord

16/3 SJTW power cord. Six feet in length.

Electrical Requirements

Available power ratings 360, 600 and 840 Watts. Primary voltage is 120 volts, secondary voltage varies from 12V-22V output. See individual models for exact output leads.

Output Terminal

Each SSSL option includes a Tinned 6061-T6 aluminum lug strip with 3mm hex set screw for a positive torque connection. Includes 3mm hex key tool with every lugged transformer.

Each "SS" model wired transformer includes ready to wire color coded 10 gauge output wire lead.

Finish

Stainless Steel finish is standard. Unique™ Lightings' Weathered Brass finish is a "living finish" and will naturally patina and change over time.

Warranty

All transformers from Unique Lighting Systems® carry a limited lifetime warranty against manufacturer's defects.

Manufacturing

Manufactured to ISO 9001-2008 Quality Systems Standard.

Features & Benefits

- Oversized colored terminal lugs ideal for multiple connections at each tap
- Snap-in photocell ready
- Easy to read instruction mounted inside door
- Hex tool supplied with transformer
- 3/4" and 1" knock outs on bottom and sides for conduit
- 120-Volt receptacle for use with timers
- Louvered vents in the housing allow for cool running operation



UL 1598: 2004 R5.06
CAN/CSA-C22.2 No. 250.0-04