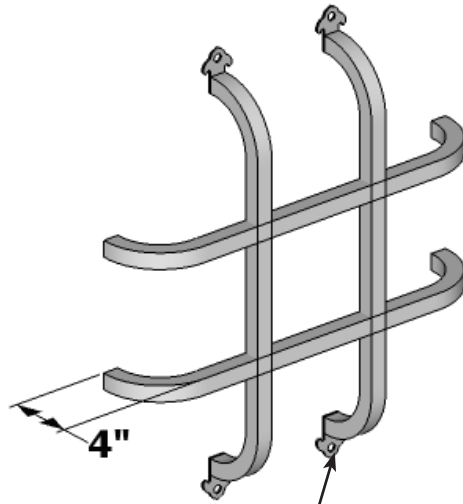
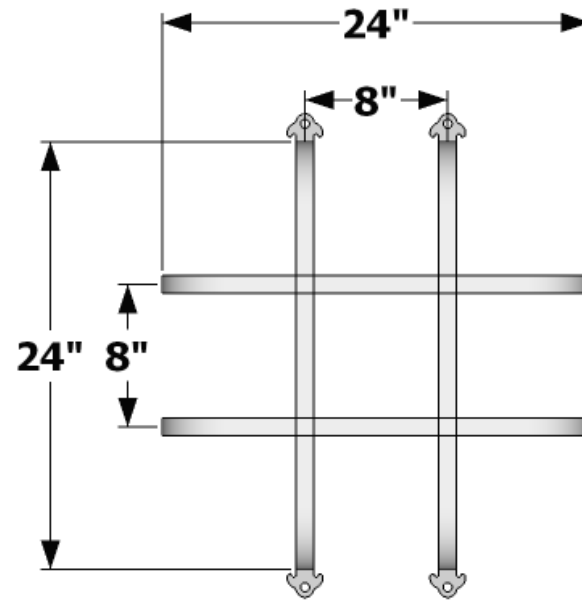


GENERAL NOTES:

- 1. 1 inch square tube frame, separated 8 inches on center.
- 2. 4 inch offsets
- 3. (4) Weld tabs, King Metals 44-2



Weld tabs



FRONT PERSPECTIVE

FRONT ELEVATION

Date:
Scale: NTS
DB: JL
CB:
Rep:
Order#:

Content: Simple 2X2 Iron Window Grill

PN: 813B-WG-240424-4Bar

Color/Finish: Black Powder Coat

Customer Approval: _____

Design by Hooks and Lattice. All visual representations and designs are the intellectual property of Hooks and Lattice and protected under copyright law. Any duplication of this design is in direct violation of the law and will result in legal action. © Copyright 2008-2014



T:800-896-0978

F:760-603-0862