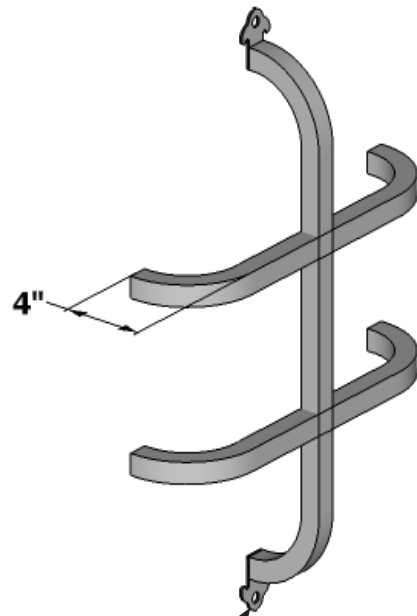


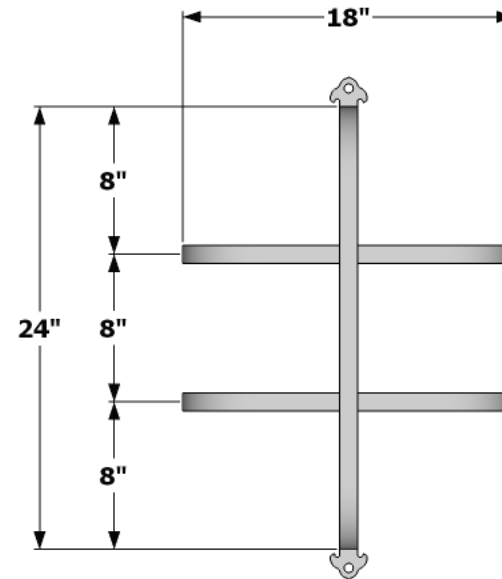
GENERAL NOTES:

- 1. 1 inch square tube frame
- 2. 4 inch offsets
- 3. (4) Weld tabs, KM 44-2



Weld tabs

FRONT PERSPECTIVE



FRONT ELEVATION

Date: -2013
Scale: NTS
DB: JL
CB:
Rep: Cpf tgy
Order#:

Content: Simple Exterior Iron Wall
2 Bar Wide x 1 Bar High Pattern
PN:814-WG-182404-3BAR-BLK
Color/Finish: Black Powder Coat
Customer Approval: _____

Design by Hooks and Lattice. All visual representations and designs are the intellectual property of Hooks and Lattice and protected under copyright law. Any duplication of this design is in direct violation of the law and will result in legal action. © Copyright 2008-2014



T:800-896-0978

F:760-603-0862