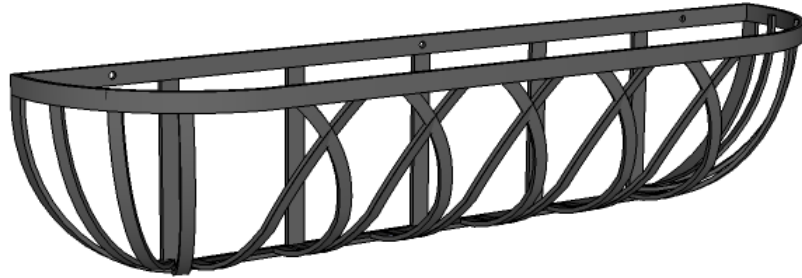
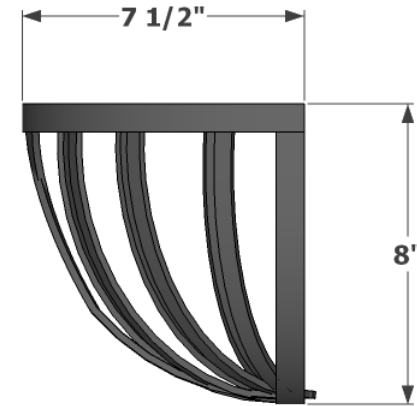


GENERAL NOTES:

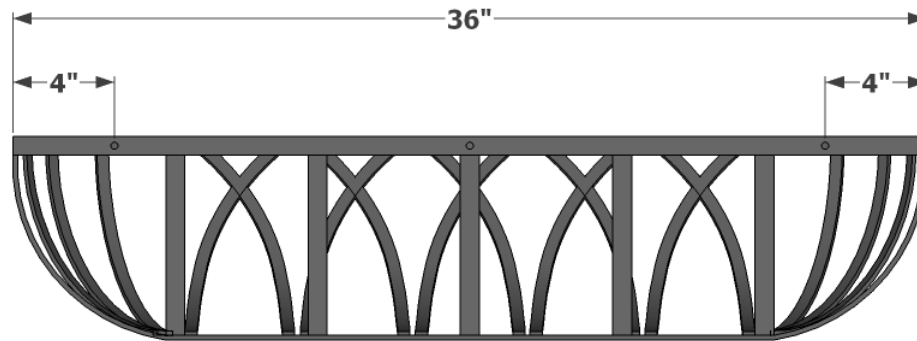
1. Frame and back vertical supports are .75" x .1875" Flat Bar
2. Front bars are .5" x .1875" Flat bar
3. Back vertical supports are 6" spart on center



PERSPECTIVE VIEW



SIDE ELEVATION



BACK VIEW

Date: 6/2018
Scale: NTS
DB: NLA
CB:
Rep: Charlie
Order#:

Content: Arch Hayrack Cage
PN: 506B-36
Color/Finish: black
Customer Approval:

Design by Planters Unlimited
All visual representations and designs
are the intellectual property of Planters
Unlimited and protected under copyright
law. Any duplication of this design is in
direct violation of the law and will result
in legal action.
© Copyright 2008-2018



T:888-320-0626 F:760-598-9888