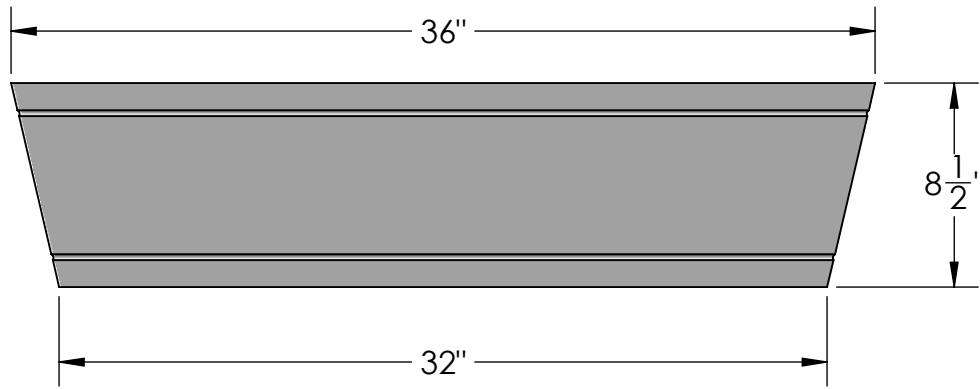
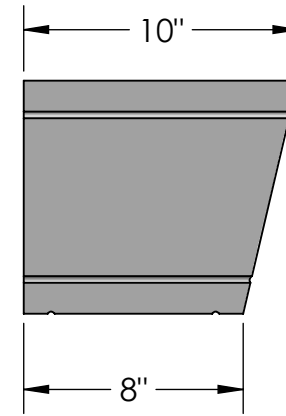


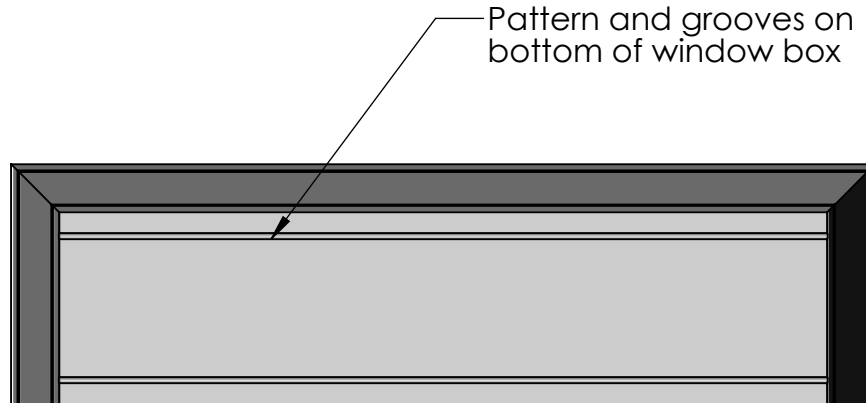
GENERAL NOTES: Window box to have drainage



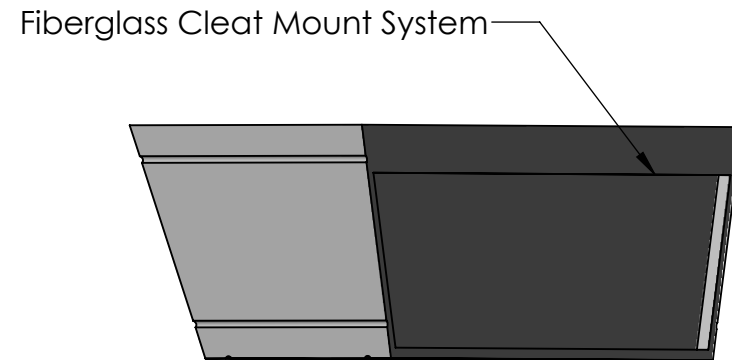
FRONT VIEW



SIDE VIEW



BOTTOM VIEW



BACK PERSPECTIVE VIEW

Date:  
Scale: NTS  
DB: ZB  
CB:  
Rep:  
Order #:

Content: Modern Farmhouse Fiberglass Window Box  
PN: CM-MF36-SBB-RDH  
Color/Finish: Reclaimed Dark Hickory  
Customer Approval: \_\_\_\_\_

Design by Hooks and Lattice. All visual representations and designs are the intellectual property of Hooks and Lattice and protected under copyright law. Any duplication of this design is in direct violation of the law and will result in legal action.  
© Copyright 2008-2016



**HOOKS & LATTICE**  
T: 800-896-0978 F: 760-603-0862