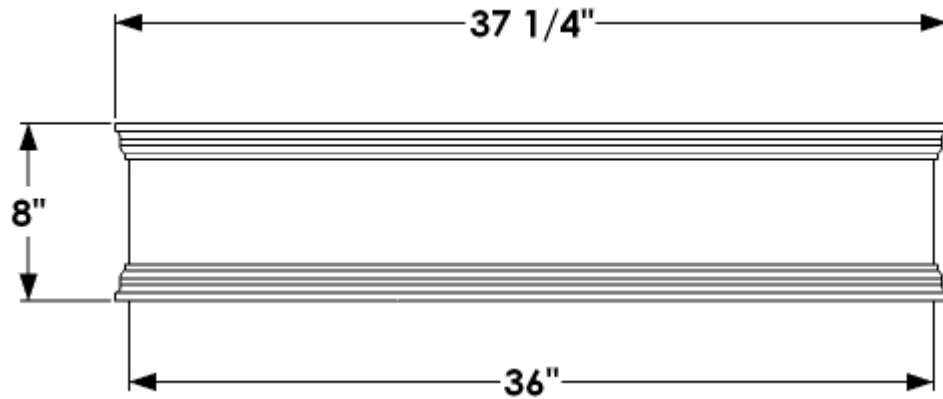
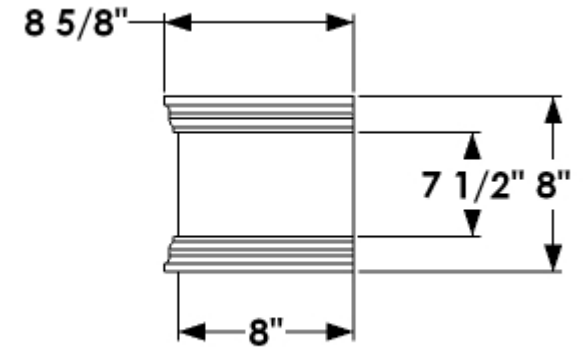


General Notes:

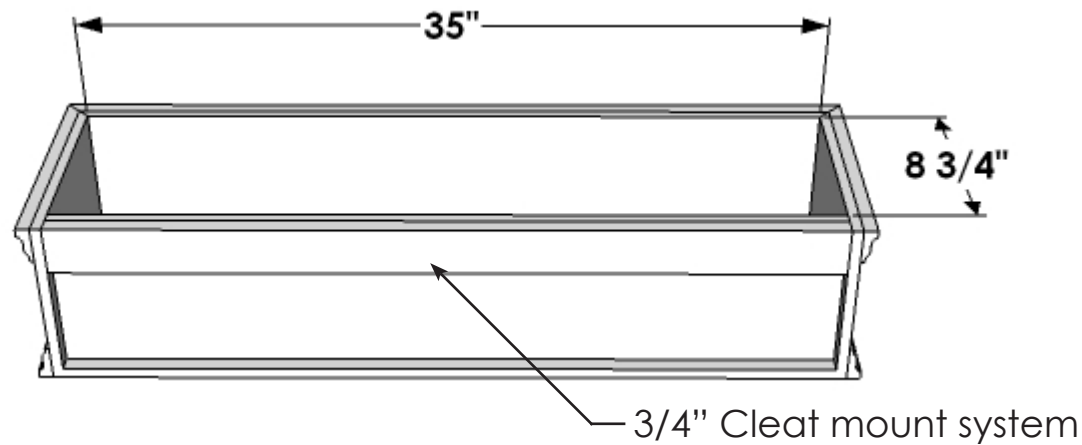
1. 3"H x 3/4"Thk Cleat Mount, trim is flush with back panel



ELEVATION VIEW



SIDE VIEW



BACK VIEW

Date: 02/2018
 Scale: NTS
 DB: KMM
 CB:
 Rep: CRESSA
 Order#:

Content: Laguna Fiberglass Window Box
 PN: CM-LAG36-AC
 Color/Finish: Armore Coat
 Customer Approval:

Design by Planters Unlimited
 All visual representations and designs are the intellectual property of Planters Unlimited and protected under copyright law. Any duplication of this design is in direct violation of the law and will result in legal action.
 © Copyright 2008-2017



T:888-320-0626 F:760-598-9888