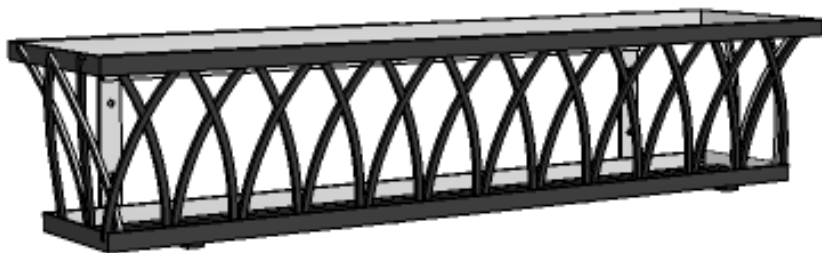
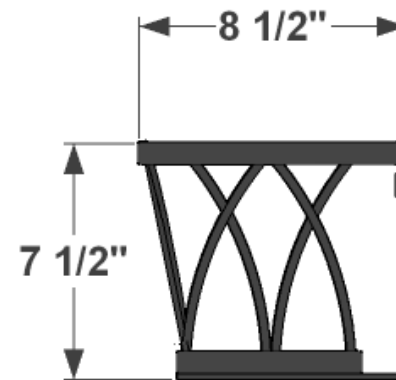


**General Notes:**

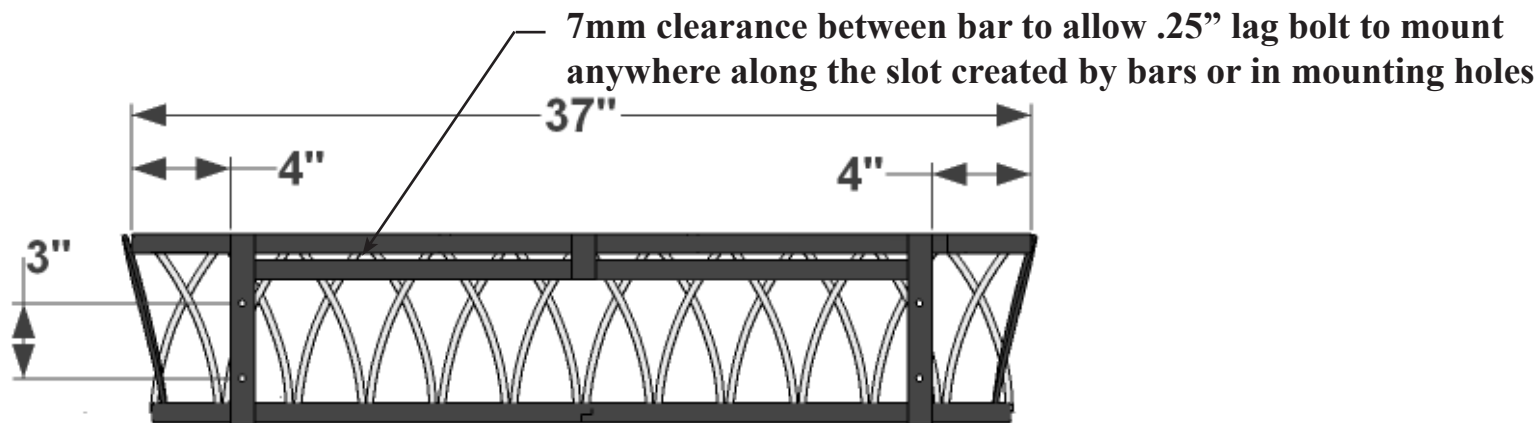
- 1. Frame .75" x .1875" flat bar
- 2. Arches .50" x .1875" flat bar
- 3. Arch intersections and peaks must align consistently along length of box



FRONT VIEW



SIDE ELEVATION



BACK VIEW

Date:  
Scale: NTS  
DB: GGG  
CB:  
Rep:  
Order#:

Content: Arch Decora Metal Window Box  
PN: 510B-36-BLK  
Color/Finish: Black Tone Powder Coat  
Customer Approval: \_\_\_\_\_

Design by Hooks and Lattice. All visual representations and designs are the intellectual property of Hooks and Lattice and protected under copyright law. Any duplication of this design is in direct violation of the law and will result in legal action. © Copyright 2008-2014

**Hooks & Lattice**  
A GARDEN MARKET  
T:800-896-0978 F:760-603-0862