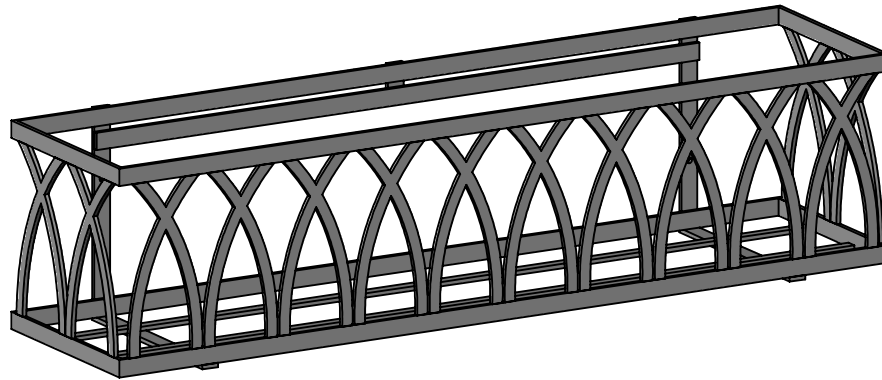


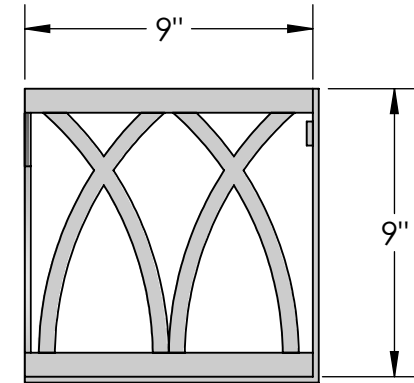
General Notes:

1. Frame, Back and Bottom Supports: 3/4"W x 1/8" Thk Flat Bar
2. Design: 1/2"W x 1/8" Thk Flat Bar
3. Mounting Holes:  $\phi$  1/4"
4. 7mm clearance between back bars to allow 1/4" lag bolt to mount anywhere along slot.
5. Arches must align consistently along the length of box.

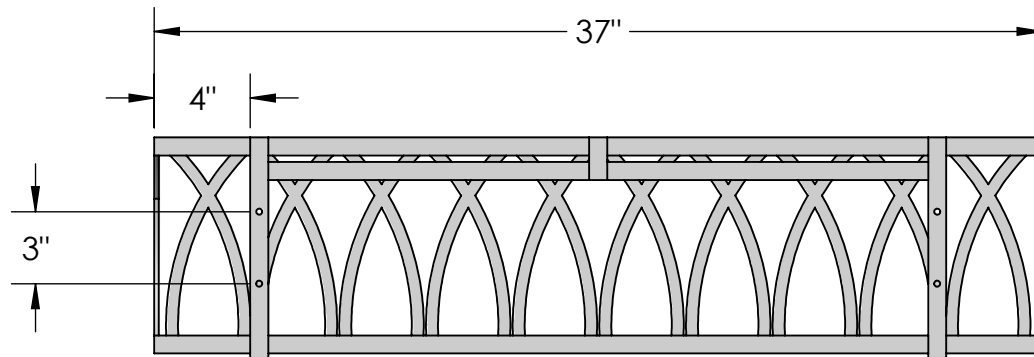
REV.IG



PERSPECTIVE VIEW



SIDE VIEW



BACK VIEW

Date:  
Scale: NTS  
DB: ZB  
CB:  
Rep:  
Order #:

Content: Arch Window Box  
PN: 540C-36  
Color/Finish: Textured Black Powder Coat  
Customer Approval: \_\_\_\_\_

Design by Hooks and Lattice. All visual representations and designs are the intellectual property of Hooks and Lattice and protected under copyright law. Any duplication of this design is in direct violation of the law and will result in legal action.

© Copyright 2008-2017



**HOOKS & LATTICE**  
T: 800-896-0978 F: 760-603-0862