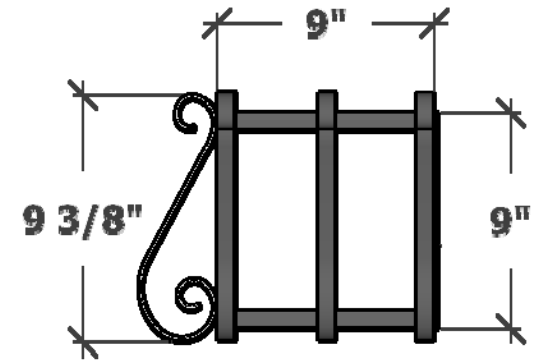
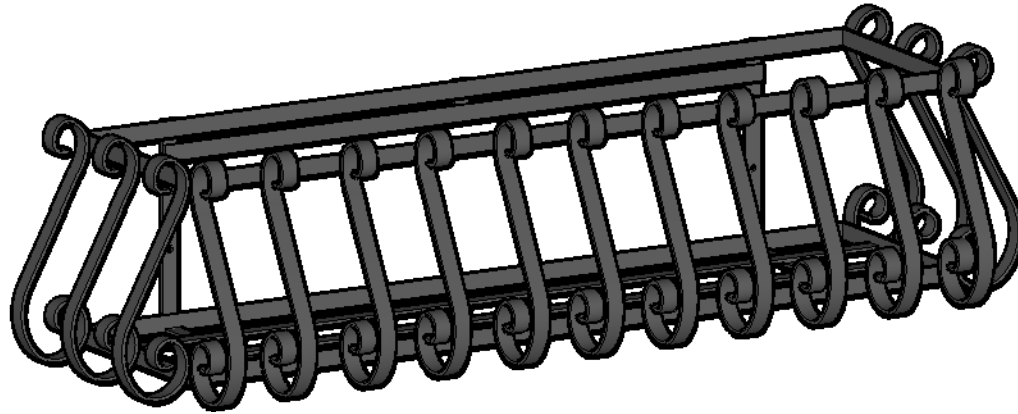


General Notes:

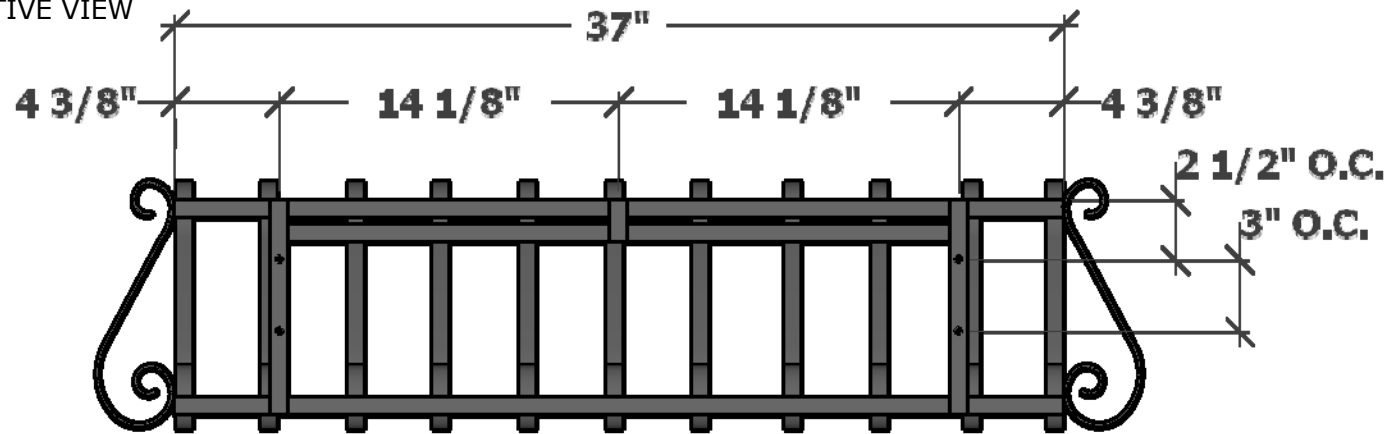
REV.IG

1. 11 scrolls across front, 3 on each side. Spacing is approximately 3 3/8" between scrolls.
2. Frame and Scrolls are 3/4" x 1/8" flat bar.
3. Mounting Holes: $\varnothing 1/4"$
4. 7mm clearance between back bars to allow 1/4" lag bolt to mount anywhere along slot created by bars or in mounting holes
5. Individual scrolls measure 9 3/8" height. Top scroll is 2 1/8" diameter, bottom scroll is 2 3/4" in diameter.



PERSPECTIVE VIEW

SIDE ELEVATION



BACK ELEVATION

Date:
Scale: NTS
DB:RMA
CB:
REP:
Order #:

Content: European Window Box Cage
PN: 541C-36
Color/Finish: Black Powder Coat
Customer Approval: _____

Desing by Hooks and Lattice. All visual representations and designs are the intellectual property of Hooks and Lattice and protected under copyright law. Any duplication of this design is in direct violation of the law and will result in legal action.

© Copyright 2008-2014



T: 888-896-0978 F: 760-603-0862