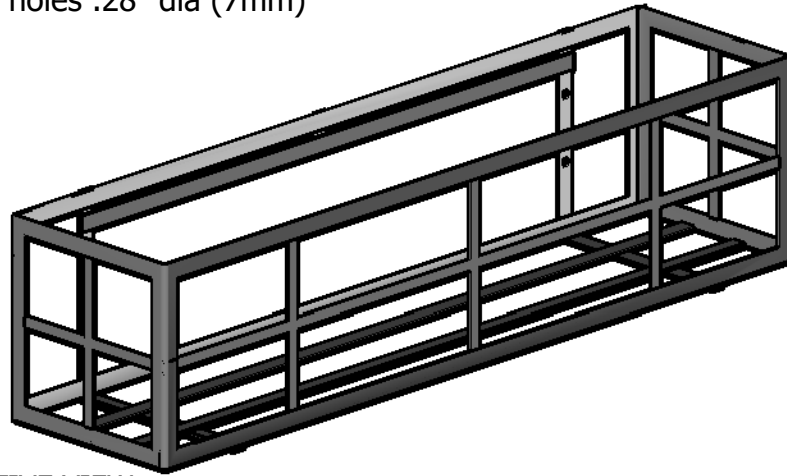
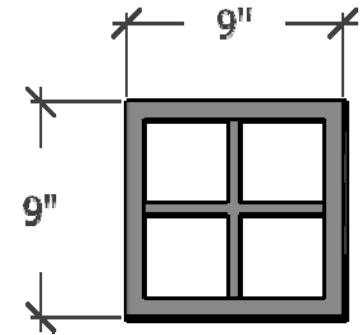


**General Notes:**

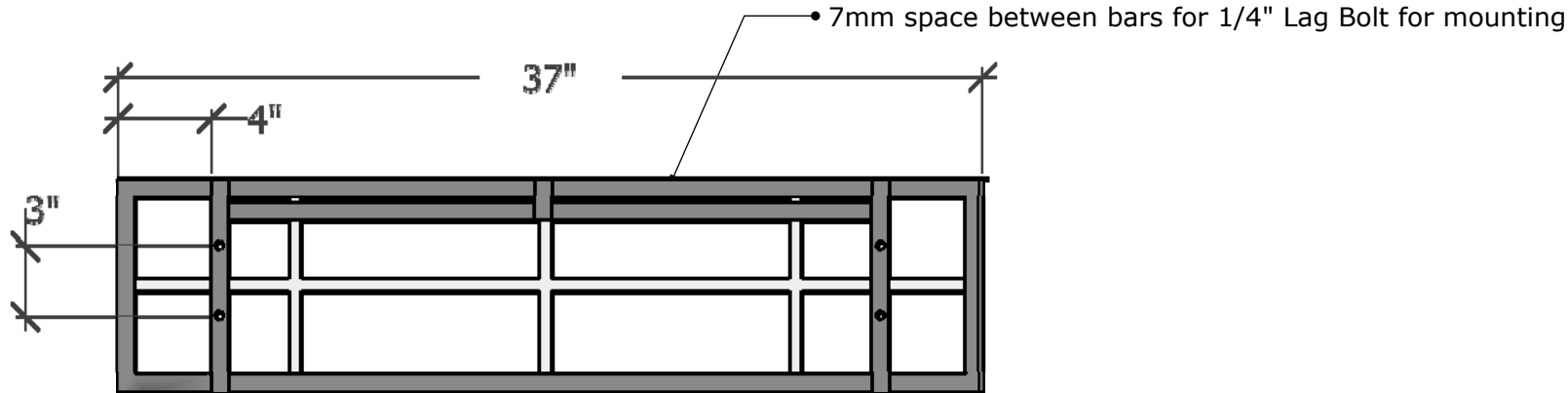
1. Two rows of rectangles on the front to be evenly spaced across length and height of window box.
2. Design on ends to be evenly divided between length and height of window box.
3. Design to be fabricated with 1/2" Flat Bar
4. Cage frame and supports fabricated with 3/4" x 1/8" Flat Bar
3. Mounting holes .28" dia (7mm)



PERSPECTIVE VIEW



SIDE ELEVATION



BACK ELEVATION

Date:  
Scale: NTS  
DB: RMA  
CB:  
REP:  
Order #:

Content: Simple Elegance Window Box Cage

PN: 547C-36

Color/Finish: Black Powder Coat

Customer Approval: \_\_\_\_\_

Desing by Hooks and Lattice. All visual representations and designs are the intellectual property of Hooks and Lattice and protected under copyright law. Any duplication of this design is in direct violation of the law and will result in legal action.

© Copyright 2008-2014



T: 888-896-0978 F: 760-603-0862