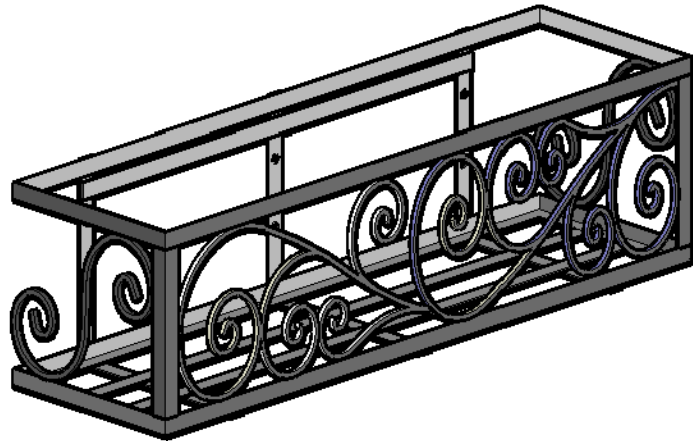
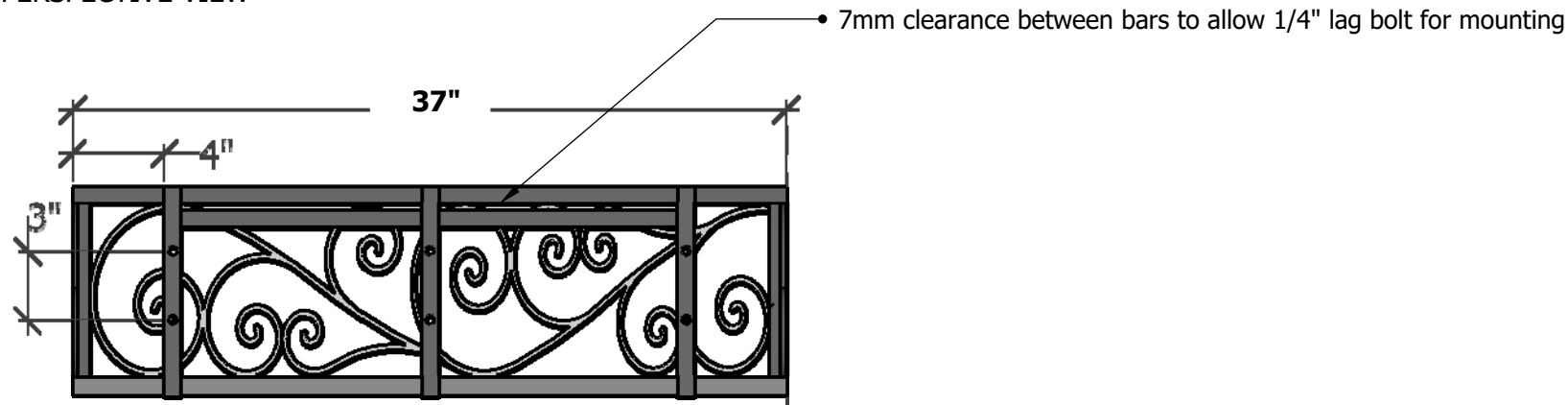


**General Notes:**

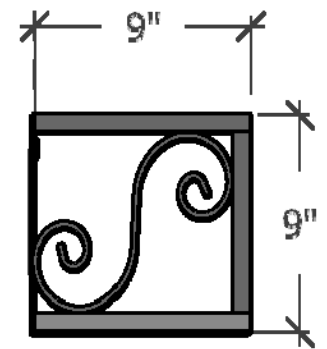
1. Frame fabricated with 3/4" x 1/8" Flat Bar
2. Scrollwork is 1/4" round bar
3. Mounting holes .28" dia (7mm)



PERSPECTIVE VIEW



BACK ELEVATION



SIDE ELEVATION

Date:  
Scale: NTS  
DB: KMM  
CB:  
REP: CM  
Order #:

Content: Wayfarer Scroll Window Box  
PN: 549C-36  
Color/Finish: Black Powder Coat  
Customer Approval: \_\_\_\_\_

Desing by Hooks and Lattice. All visual representations and designs are the intellectual property of Hooks and Lattice and protected under copyright law. Any duplication of this design is in direct violation of the law and will result in legal action.

© Copyright 2008-2014



T: 888-896-0978 F: 760-603-0862