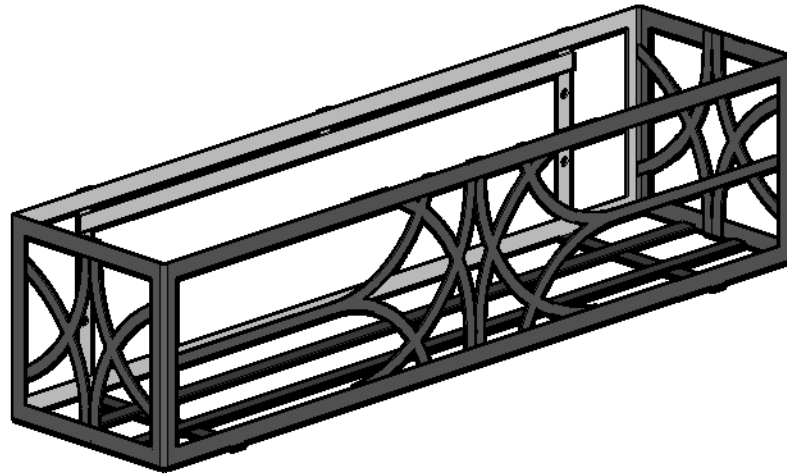


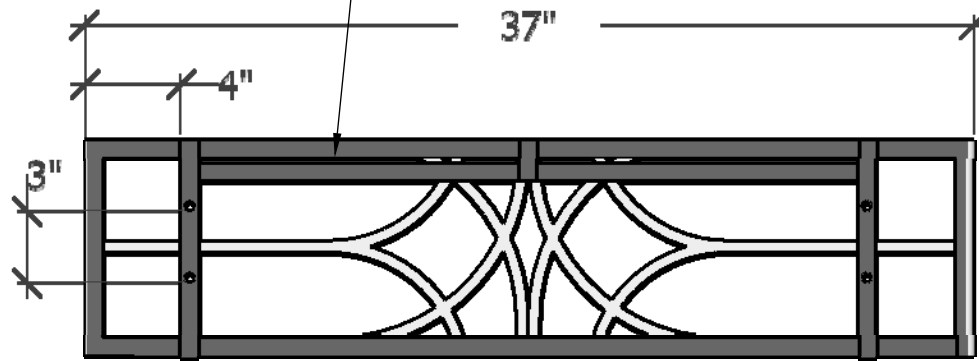
General Notes:

- 1. Top Frame and Bottom Supports, 3/4" x 1/8" Flat Bar
- 2. Bottom Frame, 3/4" x 1/8" Angle Iron
- 3. Scroll, 1/4" Round Bar
- 4. Mounting holes .28" (7mm)

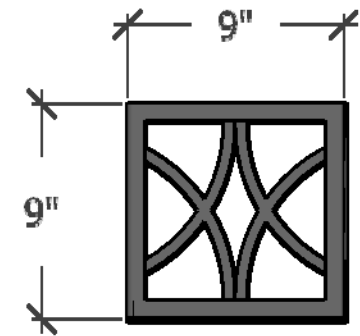


PERSPECTIVE VIEW

• 7mm clearance between bar to allow 1/4" lag bolt for mounting



BACK ELEVATION



SIDE ELEVATION

Date:
Scale: NTS
DB:GGG
CB:
REP:
Order #:

Content: Falling Water Window Box Cage

PN: 543C-36

Color/Finish: Black Powder Coat

Customer Approval: _____

Desing by Hooks and Lattice. All visual representations and designs are the intellectual property of Hooks and Lattice and protected under copyright law. Any duplication of this design is in direct violation of the law and will result in legal action.

© Copyright 2008-2014



T: 888-896-0978 F: 760-603-0862