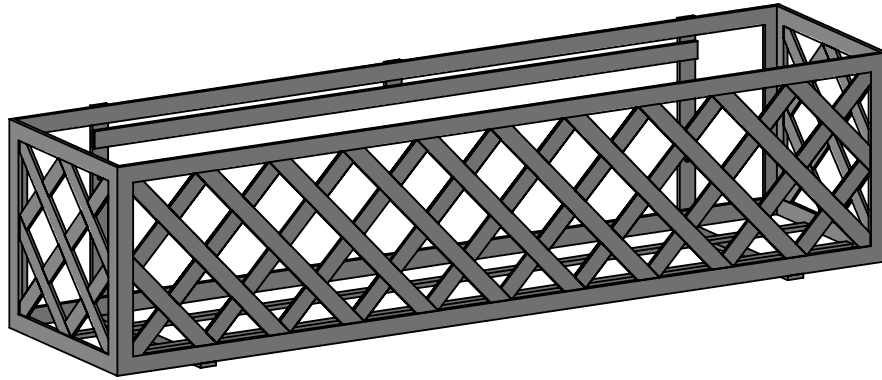


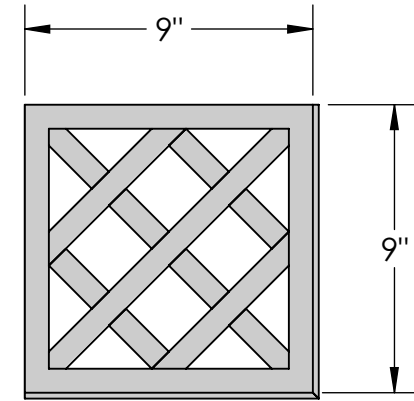
General Notes:

1. Frame, Back and Bottom Supports: 3/4"W x 1/8" Thk Flat Bar
2. Design: 3/4"W x 1/8" Thk Flat Bar
3. Mounting Holes: \varnothing 1/4"
4. 7mm clearance between back bars to allow 1/4" lag bolt to mount anywhere along slot.

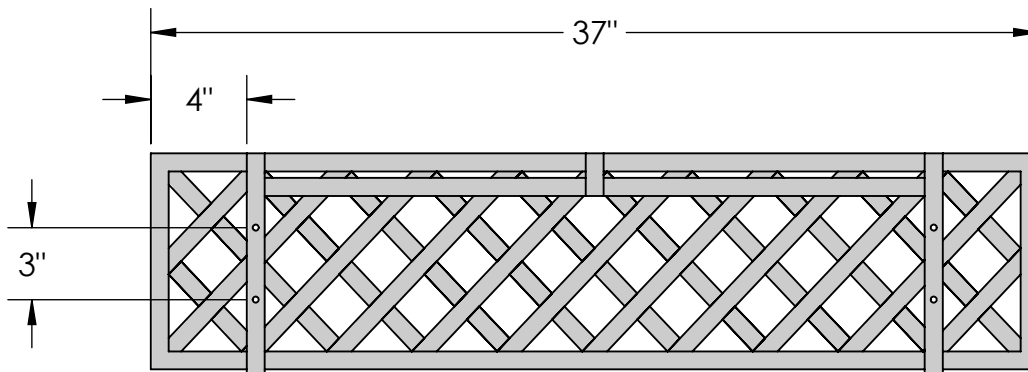
REV.IG



PERSPECTIVE VIEW



SIDE VIEW



BACK VIEW

Date:
Scale: NTS
DB: ZB
CB:
Rep:
Order #:

Content: Lattice Window Box
PN: 503B-36
Color/Finish: Textured Black Powder Coat
Customer Approval: _____

Design by Hooks and Lattice. All visual representations and designs are the intellectual property of Hooks and Lattice and protected under copyright law. Any duplication of this design is in direct violation of the law and will result in legal action.
© Copyright 2008-2017



HOOKS & LATTICE
T: 800-896-0978 F: 760-603-0862