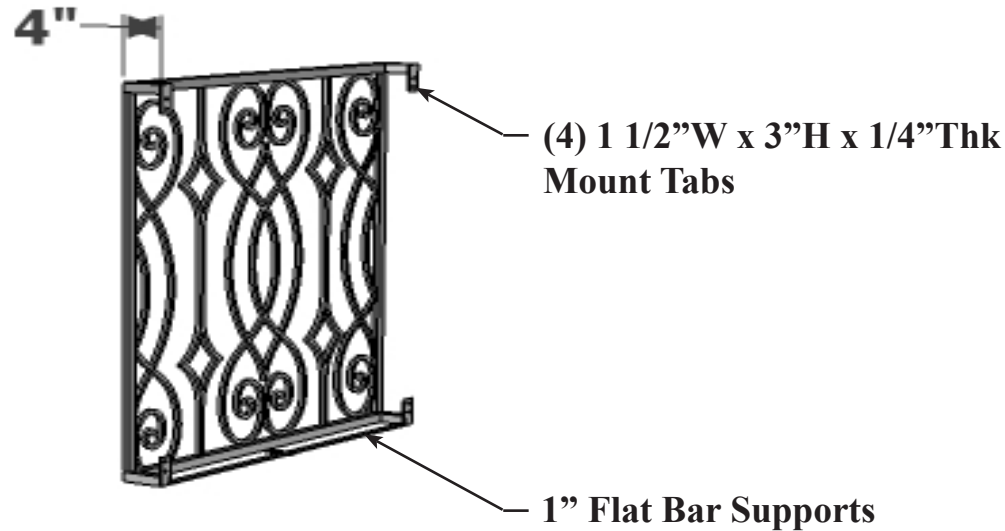


FRONT ELEVATION



BACK PERSPECTIVE

Date:
 Scale: NTS
 DB: RMA
 CB:
 Rep:
 Order#:

Content: Agostino Faux Balcony
 PN: 723-BAL-404-42H
 Color/Finish: Black Powder Coat
 Customer Approval: _____

Design by Hooks and Lattice. All visual representations and designs are the intellectual property of Hooks and Lattice and protected under copyright law. Any duplication of this design is in direct violation of the law and will result in legal action. © Copyright 2008-2014

Hooks & Lattice
 A GARDEN MARKET
 T:800-896-0978 F:760-603-0862