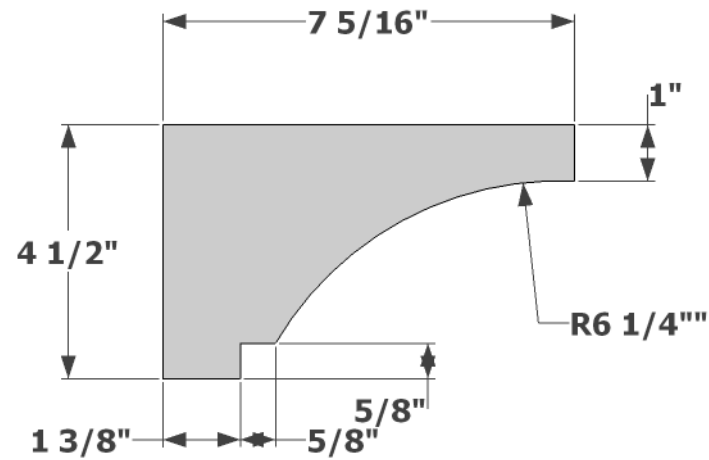


PERSPECTIVE VIEW



SIDE VIEW

Date:  
Scale: NTS  
DB: JL  
CB:  
Rep:  
Order#:

Content: Elegant Faux Bracket

PN: S9-FB-STD

Color/Finish: White Foam

Customer Approval: \_\_\_\_\_

Design by Hooks and Lattice. All visual representations and designs are the intellectual property of Hooks and Lattice and protected under copyright law. Any duplication of this design is in direct violation of the law and will result in legal action. © Copyright 2008-2014



T:800-896-0978

F:760-603-0862