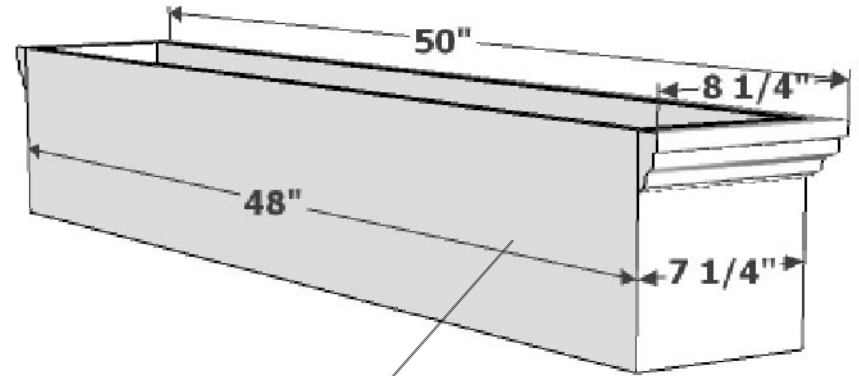
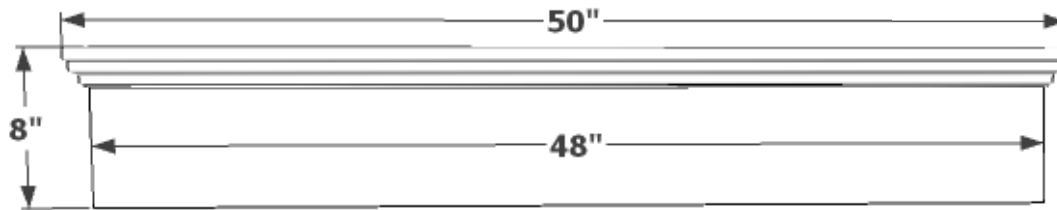


PERSPECTIVE VIEW



Flat Back

REAR PERSPECTIVE VIEW



FRONT VIEW

Window box constructed of 1/2 inch PVC  
Drainage Holes Standard

PART NUMBER: A2-045-48

Date: March 2011  
Sheet 1 of 1  
Scale: NTS

Drawn by: KE  
Content: Newport Premier Direct Mount Window Box  
48 inch  
Customer Approval: \_\_\_\_\_

Design by Hooks and Lattice. All visual representations and designs are the intellectual property of Hooks and Lattice and protected under copyright law. Any duplication of this design is in direct violation of the law and will result in legal action.  
© Copyright 2008-2011



T:800-896-0978

F:760-603-0862