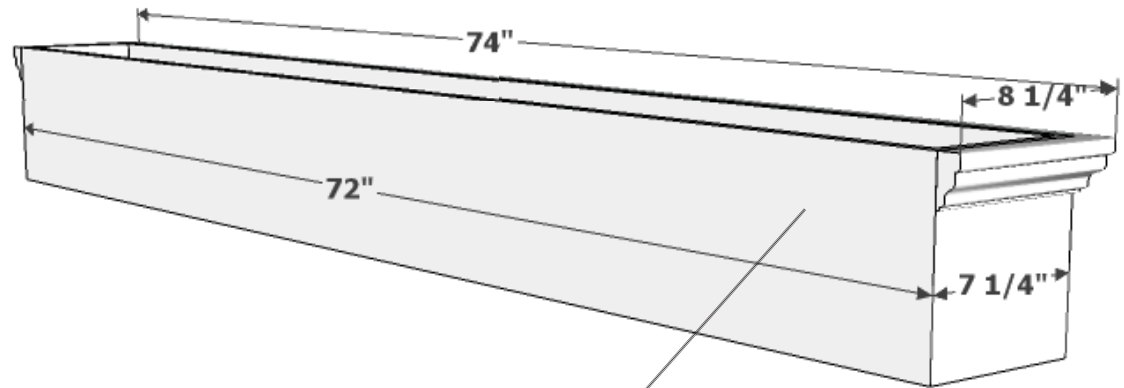


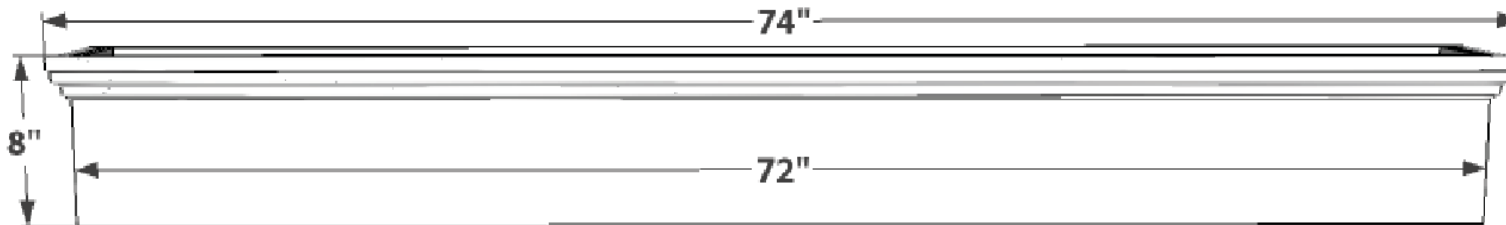


PERSPECTIVE VIEW



Flat Back

REAR PERSPECTIVE VIEW



FRONT VIEW

Window box constructed of 1/2 inch PVC
Drainage Holes Standard

PART NUMBER: A2-045-72

Date: March 2011
Sheet 1 of 1
Scale: NTS

Drawn by: KE
Content: Newport Premier Direct Mount Window Box
72 inch
Customer Approval: _____

Design by Hooks and Lattice. All visual representations and designs are the intellectual property of Hooks and Lattice and protected under copyright law. Any duplication of this design is in direct violation of the law and will result in legal action.
© Copyright 2008-2011



T:800-896-0978

F:760-603-0862